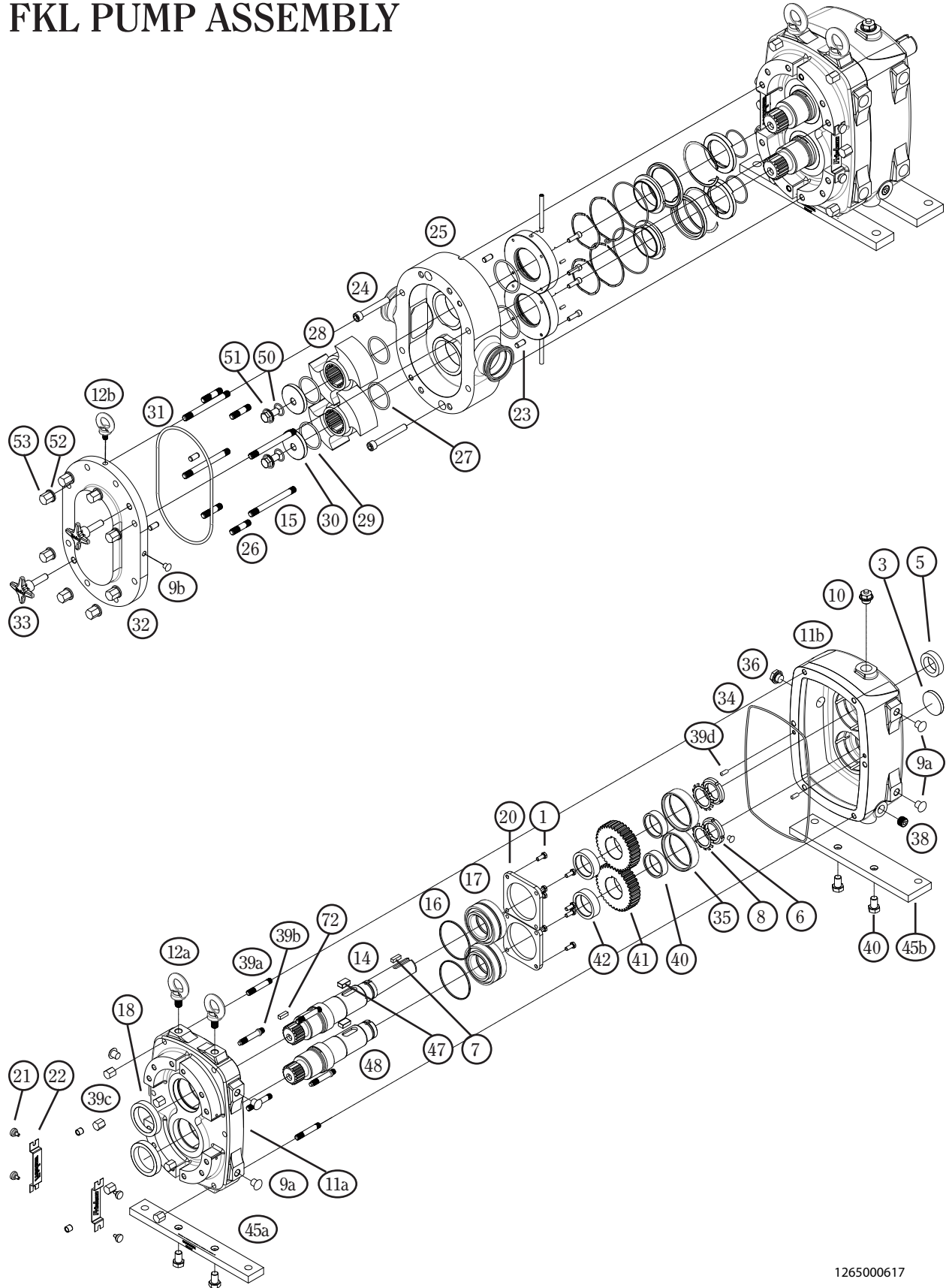


# FKL PUMP ASSEMBLY

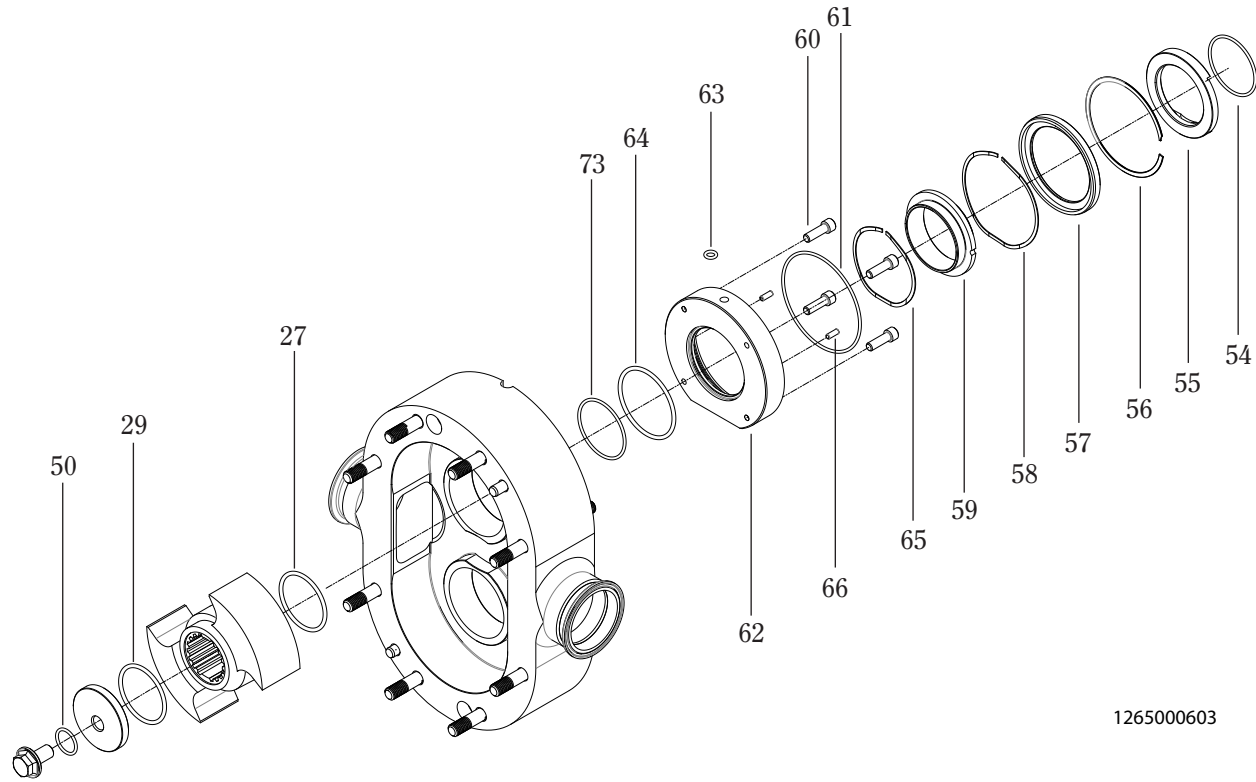


# PARTS LIST

Item	Description	Qty	15	20	25	50	75	150	205	250	400
1	Bearing cover bolt	8*	1101000208	1101000208	1101000255	1101000239	1101000239	1101000239	1101000256 (*10)	1101000256 (*10)	1101000256 (*12)
3	Shaft hole plug	1	1812000063	1812000063	1812000065	1812000062	1812000064	1812000061	1812000067	1812000066	1812000068
5	Rear oil seal	1	1812000059	1812000059	1812000055	1812000058	1812000051	1812000048	1812000056	1812000046	1812000047
6	Bearing lock nut	2	1306000083	1306000083	1306000006	1306000112	1306000002	1306000005	1306000004	1306000004	1306000007
7	Coupling key	1	1315000039	1315000039	1315000013	1315000011	1315000026	1315000026	1315000042	1315000025	1315000028
8	Bearing lock nut washer	2	1104000069	1104000069	1104000019	1104001051	1104000021	1104000018	1104000017	1104000017	1104000020
9a	Gearbox hole plug (mild steel)	5*	1101000250 (*6)	1101000250 (*6)	1101000251	1101000251	1101000253	1101000253	1101000253	1101000253	1101000254
	Gearbox hole plug (stainless steel)		1101000131 (*6)	1101000131 (*6)	1101000252	1101000252	1101000206	1101000206	1101000206	1101000206	1101000266
9b	Cover hole plug	1	N/A	N/A	N/A	N/A	N/A	N/A	N/A	1101000252	1101000252
10	Vent plug	1	1248000023	1248000023	1248000023	1248000013	1248000013	1248000013	1248000013	1248000013	1248000013
11a	Front gearbox (cast iron)	1	1310600200	1310600200	1310600204	1310600189	1310600197	1310600185	1310600220	1310600213	1310600251
	Front gearbox (stainless steel)		1310600194	1310600194	1310600203	1310600188	1310600196	1310600183	1310600219	1310600212	1310600252
11b	Rear gearbox (cast iron)	1	1310600201	1310600201	1310600206	1310600191	1310600199	1310600184	1310600222	1310600215	1310600254
	Rear gearbox (stainless steel)		1310600193	1310600193	1310600205	1310600190	1310600198	1310600186	1310600221	1310600214	1310600253
12a	Gearbox Eyebolt (mild steel)	2	N/A	N/A	1101000072	1101000073	1101000164	1101000164	1101000164	1101000164	1101000152
	Gearbox Eyebolt (stainless steel)		N/A	N/A	1101000248	1101000244	1101000242	1101000242	1101000242	1101000242	1101000267
12b	Cover Eyebolt	1	N/A	N/A	N/A	N/A	N/A	N/A	1101000244	1101000244	1101000244
14	Drive shaft	1	1372600028	1372600026	1372600086	1372600080	1372600082	1372600078	1372600112	1372600098	1372600163
15	Housing stud (long)	4*	1103000115	1103000079	1103000146 (*2)	1103000123 (*2)	1103000130	1103000102	1103000157	1103000105	1103000169
16	Gapping shim kit	1	1080000106	1080000106	1080000054	1080000099	1080000056	1080000056	1080000057	1080000057	1080000058
17	Front bearing assembly	2	1173000041	1173000041	1173000013	1173000048	1173000014	1173000016	1173000018	1173000017	1173000019
18	Front oil seal	2	1812000060	1812000060	1812000054	1812000046	1812000053	1812000047	1812000057	1812000045	1812000049
20	Front bearing cover	2	1304000017	1304000017	1304000040	1304000035	1304000036	1304000034	1304000042	1304000041	1304000043
21	Guard screw	4	1102000000	1102000000	1102000000	1102000000	1102000000	1102000000	1102000000	1102000000	1102000000
22	Gearbox guard	2	1936000160	1936000160	1936000165	1936000159	1936000161	1936000158	1936000172	1936000169	1936000187
23	Housing/Cover pin	4*	1891000080 (*6)	1891000080 (*6)	1891000069	1891000069	1891000073	1891000073	1891000076	1891000076	1891000076
24	Housing screw	2	1101000209	1101000210	1101000249	1101000245	1101000246	1101000243	1101000257	1101000257	1101000265
25	Pump housing	1	1652610000	1654610000	1655610052	1658610091	1660610053	1668610060	1664610012	1670610046	1670610024
26	Housing stud (short)	4*	N/A	N/A	1103000147	1103000101 (*2)	1103000099	1103000091	1103000095 (*10)	1103000097 (*10)	1103000103 (*12)
27	Rotor o-ring (viton)	2	1180000700	1180000700	1180000243	1180000120	1180000014	1180000115	1180000253	1180000212	1180000234
28	Rotor (standard)	2	1653630000	1655630000	1657630000	1659630000	1661630000	1669630000	1665630000	1671630000	1673600000
29	Rotor bolt washer o-ring (viton)	2	1180000700	1180000700	1180000243	1180000120	1180000014	1180000115	1180000253	1180000212	1180000234
30	Rotor bolt washer	2	1104000068	1104000068	1104000027	1104000024	1104000028	1080000042	1104000093	1080000043	1080000044
31	Cover gasket (buna - standard)	1	1180000000	1180000716	1180000165	1180000595	1180000593	1180000817	1180000817	1180000586	1180000757
32	Pump cover	1	1652620000	1654620000	1656620012	1658620018	1660620018	1668620020	1664620002	1670620011	1670620006
33	Forcing screw	2	1018000074	1018000074	1018000074	1018000074	1018000075	1018000075	1018000089	1018000089	1018000089
34	Gearbox gasket	1	1181000152	1181000152	1180000983	1180000948	1180000951	1180000952	1180000847	1180000991	1180001164
35	Rear bearing assembly	2	1173000039	1173000039	1173000050	1173000045	1173000049	1173000044	1173000051	1173000051	1173000053
36	Oil sight glass	1	1248000029	1248000029	1248000029	1248000028	1248000028	1248000028	1248000028	1248000028	1248000028
38	Oil drain plug	2	1248000030	1248000030	1248000030	1248000031	1248000031	1248000031	1248000031	1248000031	1248000031
39a	Gearbox stud	4*	1103000127 (*2)	1103000127 (*2)	1103000148	1103000124	1103000142	1103000142 (*6)	1103000154 (*6)	1103000154 (*6)	1103000168 (*6)
39b	Gearbox forcing stud	2	1103000131	1103000131	1103000149	1103000126	1103000125	1103000125	1103000158	1103000155	1103000155
39c	Gearbox nut	6*	1103000486 (*4)	1103000486 (*4)	1103000032	1101000137	11030004835	11030004835	1103000012 (*8)	1103000012 (*8)	1103000012 (*8)
39d	Gearbox pin	2	1891000080	1891000080	1891000067	1891000069	1891000069	1891000069	1891000076	1891000076	1891000076
40	Gear spacer (rear)	2	1224000103	1224000103	1224000021	1224000113	1224000115	1224000112	1224000117	1224000016	1224000020
41	Gear	2	1365000012	1365000012	1365000003	1365000005	1365000004	1365000014	1365000013	1365000001	1365000002
42	Gear spacer (front)	2	1224000103	1224000103	1224000021	1224000114	1224000023	1224000017	1224000117	1224000016	1224000019
45a	Front mounting strap (mild steel)	1	1925000024	1925000024	1925000031	1925000026	1925000027	1925000029	1925000044	1925000035	1925000045
	Front mounting strap (stainless steel)		1925000018	1925000018	1925000032	1925000022	1925000020	1925000016	1925000043	1925000034	1925000046
45b	Rear mounting strap (mild steel)	1	1925000025	1925000025	1925000031	1925000026	1925000028	1925000030	1925000044	1925000035	1925000045
	Rear mounting strap (stainless steel)		1925000019	1925000019	1925000032	1925000022	1925000021	1925000017	1925000043	1925000034	1925000046
46	Mounting strap screw (mild steel)	4	N/A	N/A	N/A	N/A	1101000033	1101000033	1101000033	1101000033	1101000033
	Mounting strap screw (stainless steel)		1101000210	1101000210	1101018615	1101018615	1101000206	1101000206	1101000206	1101000206	1101000039
47	Gear key	2	1315000037	1315000037	1315000014	1315000030	1315000029	1315000012	1315000043	1315000024	1315000027
48	Idle shaft	1	1372600029	1372600027	1372600087	1372600081	1372600083	1372600079	1372600113	1372600099	1372600164
50	Rotor bolt o-ring (viton)	2	1180000085	1180000085	1180000085	1180000085	1180000085	1180000095	1180000398	1180000398	1180000398
51	Rotor bolt	2	1102000001	1102000001	1102000001	1102000001	1102000001	1102000001	1102000002	1102000010	1102000010
52	Cover nut washer	8*	N/A	N/A	1104000000 (*6)	1104000002 (*4)	1104000002	1104000002	1104000002 (*14)	1104000002 (*14)	1104000002 (*16)
53	Cover nut	8*	1103000486 (*4)	1103000486 (*4)	1103000032 (*6)	1103000018 (*4)	1103000018	1103000018	1103000018 (*14)	1103000018 (*14)	1103000018 (*16)
72	Rotor Key	2	1315000040	1315000038	N/A	N/A	N/A	N/A	N/A	N/A	N/A

\* Quantities may vary

# SINGLE MECHANICAL SEAL ASSEMBLY

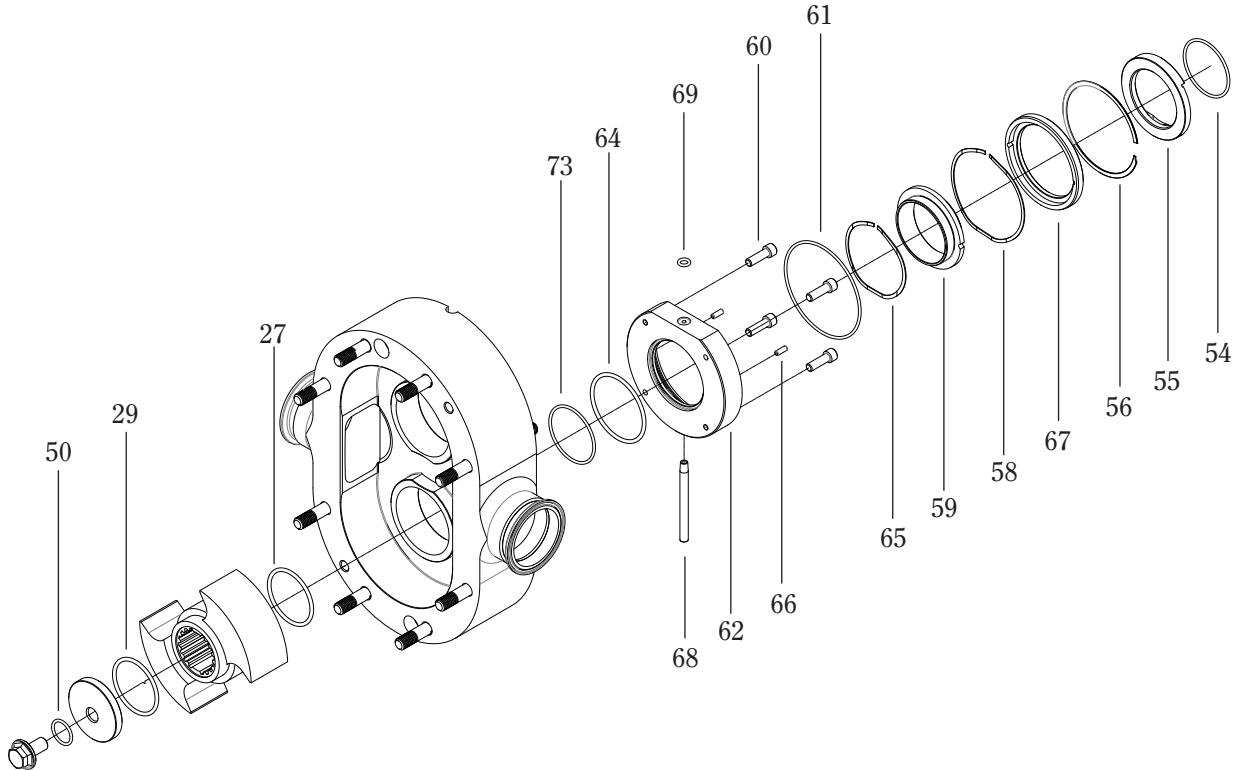


1265000603

FKL SINGLE MECHANICAL SEAL												
Item	Description	Qty	15/20	25	50	75	150	205	250	400	580	600
27	Rotor o-ring (viton)	2	1180000700	1180000343	1180000120	1180000014	1180000115	1180000253	1180000212	1180000234		1180000919
29	Rotor bolt washer o-ring (viton)	2	1180000700	1180000243	1180000120	1180000014	1180000115	1180000253	1180000212	1180000234		1180000919
50	Rotor bolt o-ring (viton)	2*		1180000085			1180000095		1180000398		1180000398 (4)	N/A
54	Rotating seal o-ring (viton)	2*	1180000700	1180000243	1180000032	1180000275	1180000112	1180000256	1180000217	1180000216	1180000919	1180000012
55	Rotating seal (Chrome oxide/SS)	2	1810600112	1810600075	1810600057	1810600076	1810600066	1810600124	1810600042	1810600074	1810600130	1810600087
55	Rotating seal (Silicon carbide)	2	1810600113	1810600085	1810600036	1810600077	1810600067	1810600123	1810600062	1810600086	1810600141	1810600157
56	Seal retaining ring	2	N/A**	1148000018	1148000014	1148000019	1148000016	1148000022	1148000015	1148000017	1148000035	1148000020
57	Single seal insert	2	N/A**	1815600019	1815600020	1815600021	1815600022	1815600144	1815600023	1815600024	1815600151	1815600099
58	Outer seal spring	2	N/A**	1820000037	1820000018	1820000040	1820000022	1820000069	1820000020	1820000020	1820000071	1820000055
59	Stationary seal (carbon)	2	1815600115	1815600058	1815600049	1815600060	1815600051	1815600142	1815600052	1815600055	1815600157	TBD
59	Stationary seal (Silicon carbide)	2	1815600182	1815600183	1815600184	1815600185	1815600186	1815600199	1815600187	1815600200	TBD	1815600201
59	Stationary seal (Chrome oxide/SS)	2	1815600128	1815600086	1815600066	1815600112	1815600108	1815600141	1815600106	1815600097	1810600172	1815600070
60	Seal housing screw	8	N/A**	1101000220		1101000221	1101000220(12)	1101000221(12)	1101000221(12)	1101000221(12)	1101000010(16)	1101000002(16)
61	Outer seal o-ring (viton)	2	N/A**	1180000256	1180000186	1180000148	1180000225	1180000215	1180000240	1180000922	1180000919	1180000019
62	Seal housing	2	N/A**	1845000010	1845000000	1845000015	1845000006	1845000045	1845000005	1845000004	1845000048	1845000028
63	Plastic cover plug	2*	N/A**				1248000006				1248000002	124800002(4)
64	Inner seal o-ring (viton)	2	1180000261	1180000030	1180000014	1180000253	1180000231	1180000234	1180000052	1180000239	1180000634	1180000455
65	Inner seal spring	2	1820000041	1820000038	1820000017	1820000039	1820000021	1820000068	1820000019	1820000023	1820000070	1820000454
66	Seal pin	4	1891000051	1891000011	1891000009	1891000013	1891000009	1891000013	1891000009	1891000010	1891000088	1891000043
73	Cartridge seal o-ring (viton)	2	N/A**			(models 250-600 only)			1180000148	1180000225	1180000920	1180000686

\* Quantities may vary \*\* N/A - models 15-20 (no cartridge)

# DOUBLE MECHANICAL SEAL ASSEMBLY



1265000604  
7/1/2011

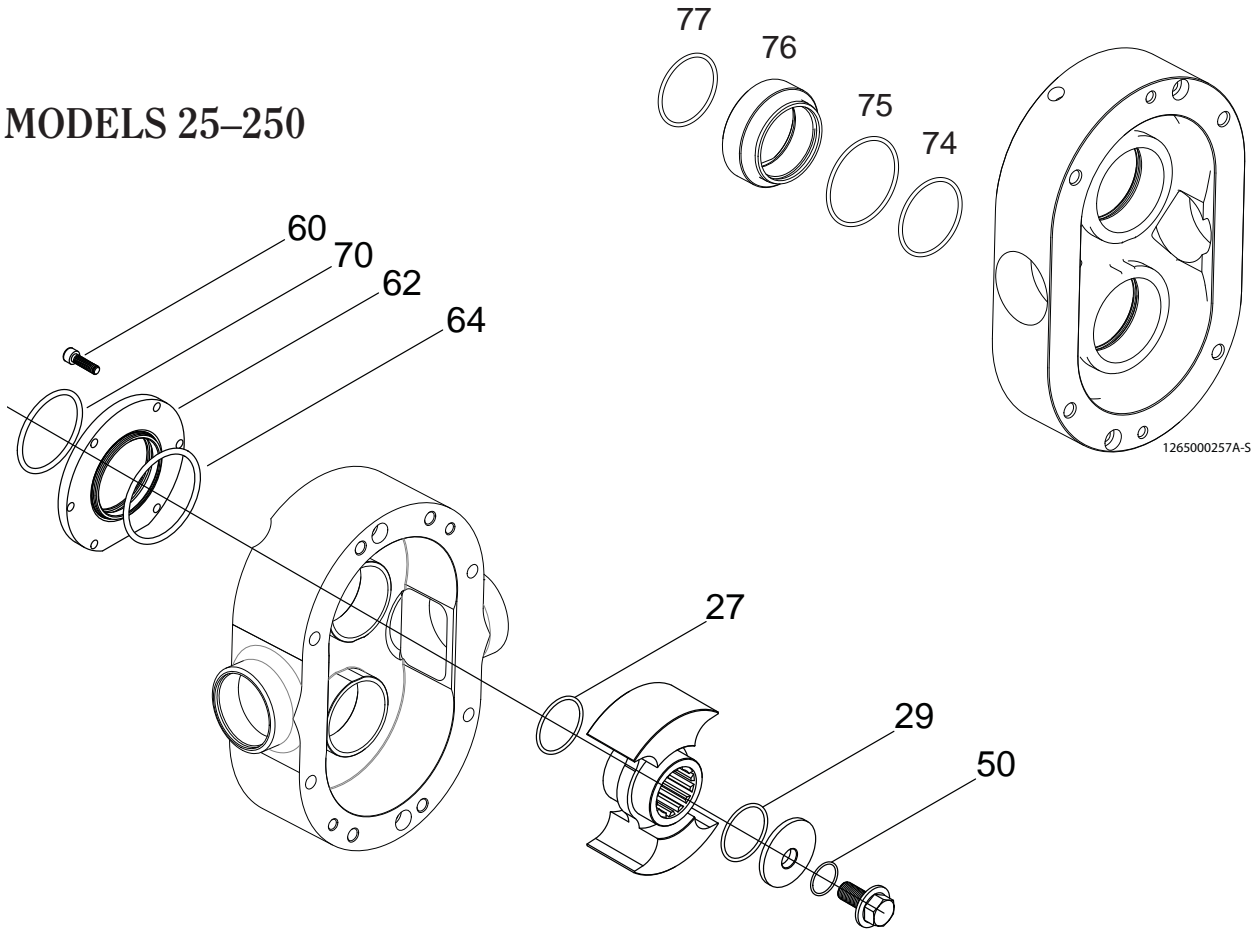
FKL DOUBLE MECHANICAL SEAL														
Item	Description	Qty	15/20	25	50	75	150	205	250	400	580	600		
27	Rotor o-ring (viton)	2	1180000700	1180000243	1180000120	1180000014	1180000115	1180000253	1180000212	1180000234	1180000919			
29	Rotor bolt washer o-ring (viton)	2	1180000700	1180000243	1180000120	1180000014	1180000115	1180000253	1180000212	1180000234	1180000919			
50	Rotor bolt o-ring (viton)	2*	1180000085									1180000398	1180000398 (4)	N/A
54	Rotating seal o-ring (viton)	2	1180000700	1180000243	1180000032	1180000275	1180000112	1180000256	1180000217	1180000216	1180000919	118000012		
55	Rotating seal (Chrome oxide/SS)	2	1810600112	1810600075	1810600057	1810600076	1810600066	1810600124	1810600042	1810600074	1810600130	1810600087		
55	Rotating seal (Silicon carbide)	2	1810600113	1810600085	1810600036	1810600077	1810600067	1810600123	1810600062	1810600086	1810600141	1810600157		
56	Seal retaining ring	2	N/A**	1148000019	1148000014	1148000019	1148000016	1148000032	1148000015	1148000017	1148000035	1148000020		
58	Outer seal spring	2	N/A**	1820000037	1820000018	1820000040	1820000022	1820000069	1820000020	1820000024	1820000071	1820000055		
59	Stationary seal (carbon)	2	1815600115	1815600058	1815600049	1815600060	1815600051	1815600142	1815600052	1815600055	1815600157	TBD		
59	Stationary seal (Silicon carbide)	2	1815600182	1815600183	1815600184	1815600185	1815600186	1815600187	1815600187	1815600200	TBD	1815600201		
59	Stationary seal (Chrome oxide/SS)	2	1815600128	1815600086	1815600066	1815600112	1815600108	1815600141	1815600106	1815600097	1810600172	1815600070		
60	Seal housing screw	8*	N/A**											
61	Outer seal o-ring (viton)	2	1180000701	1180000256	1180000186	1180000148	1180000225	1180000215	1180000240	1180000922	1180000019	1180000019		
62	Seal housing	2	N/A**	1845000010	1845000000	1845000015	1845000006	1845000045	1845000005	1845000004	1845000048	1845000038		
64	Inner seal o-ring (viton)	2	1180000261	1180000030	1180000014	1180000253	1180000231	1180000234	1180000052	1180000239	1180000634	1180000455		
65	Inner seal spring	2	1820000041	1820000038	1820000017	1820000039	1820000021	1820000068	1820000019	1820000023	1820000070	1820000054		
66	Seal pin	4	1891000051	1891000011	1891000009	1891000013	1891000009	1891000013	1891000009	1891000010	1891000088	1891000043		
67	Flush seal (carbon)	2	1815600117	1815600059	1815600071	1815600062	1815600073	1815600143	1815600072	1815600160	1815600158	1815600173		
68	Water pipe	2*	1910000002	1910000010			1910000019	1910000001						
69	Flush seal housing o-ring (viton)	1	N/A**					1180000293						
73	Cartridge seal o-ring (viton)	2	N/A**		(models 250-600 only)			1180000148	1180000225	1180000920	1180000686			

\*Quantities may vary \*\*N/A - models 15-20 (no cartridge)

# SINGLE O-RING SEAL ASSEMBLY

## MODELS 15-20

## MODELS 25-250



1265000606 Rev.

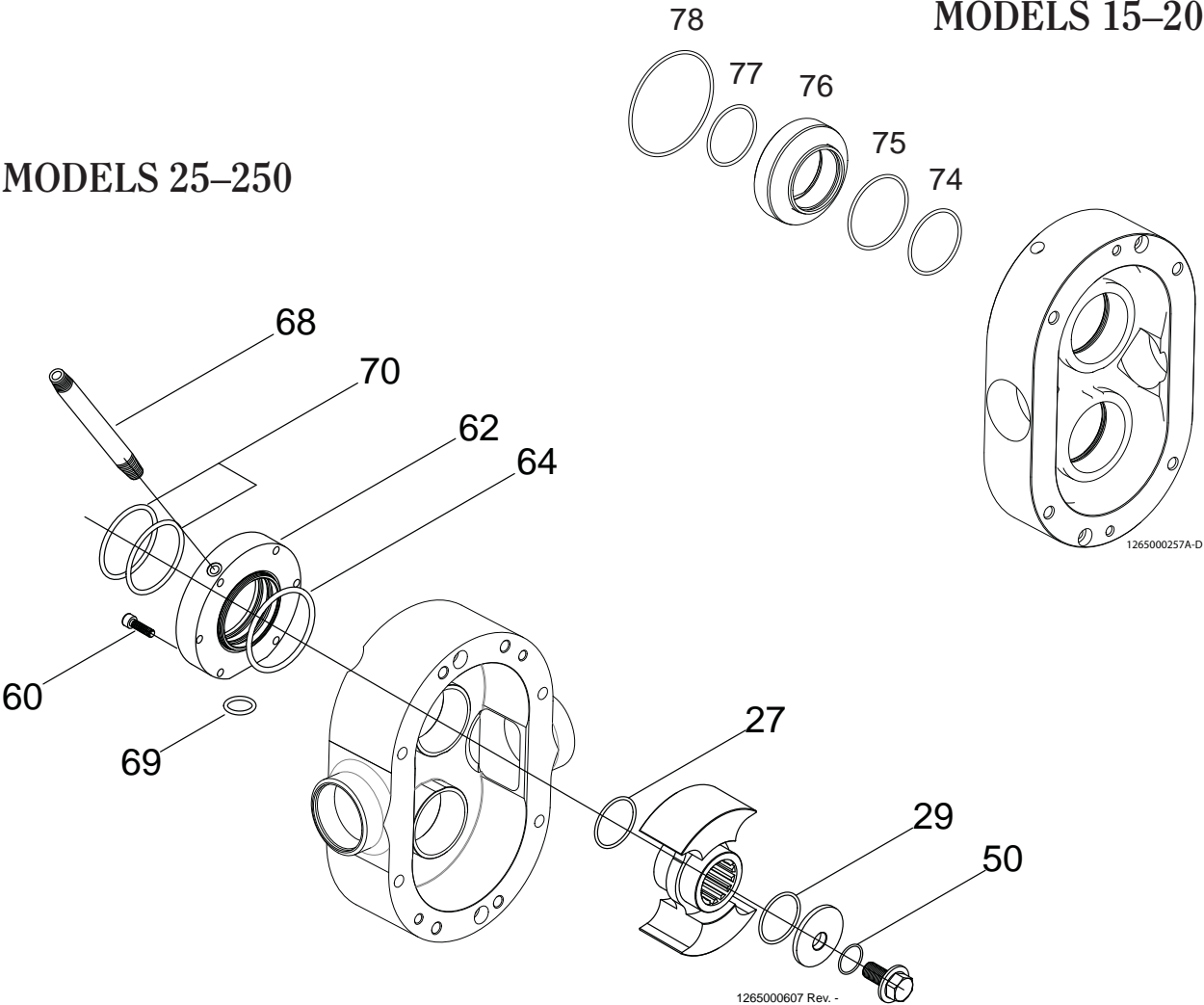
SINGLE O-RING SEAL (Models 25-250)								
Item	Description	Qty	25	50	75	150	205	250
27	Rotor o-ring (viton)	2	1180000243	1180000120	1180000014	1180000115	1180000253	1180000212
29	Rotor bolt washer o-ring (viton)	2	1180000243	1180000120	1180000014	1180000115	1180000253	1180000212
50	Rotor bolt o-ring (viton)	2		1180000085		1180000095		1180000398
60	Seal housing screw	8*		1101000219			1101000219(12)	
62	Seal housing	2	1845000012	1845000001	1845000017	1845000008	TBD	1845000003
64	Inner stationary seal o-ring (viton)	2	1180000030	1180000014	1180000253	1180000231	1180000234	1180000052
70	Seal o-ring (viton)	2	1180000206	1180000044	1180000233	1180000280	1180000234	1180000234

\* Quantities may vary

SINGLE O-RING SEAL (Models 15-20)			
Item	Description	Qty	15/20
27	Rotor o-ring (viton)	2	1180000700
29	Rotor bolt washer o-ring (viton)	2	1180000700
50	Rotor bolt o-ring (viton)	2	1180000085
74	Inner seal o-ring (viton)	2	1180000350
75	Outer seal o-ring (viton)	2	1180000261
76	O-ring seal: single	2	1224000104
77	Shaft o-ring (viton)	2	1180000700

# DOUBLE O-RING SEAL ASSEMBLY

MODELS 25-250



DOUBLE O-RING SEAL (Models 25-250)								
Item	Description	Qty	25	50	75	150	205	250
27	Rotor o-ring (viton)	2	1180000243	1180000120	1180000014	1180000115	1180000253	1180000212
29	Rotor bolt washer o-ring (viton)	2	1180000243	1180000120	1180000014	1180000115	1180000253	1180000212
50	Rotor bolt o-ring (viton)	2		1180000085		1180000095		1180000398
60	Seal housing screw	8*		1101000220		1101000220(12)		1101000221(12)
62	Seal housing	2	1845000011	1845000002	1845000016	1845000007	TBD	1845000009
64	Inner seal o-ring (viton)	2	1180000030	1180000014	1180000253	1180000231	1180000234	1180000052
68	Water pipe	2		1910000010			1910000001	
69	Flush seal housing o-ring (viton)	1				1180000293		
70	Seal o-ring (viton)	2	1180000206	1180000044	1180000233	1180000280	1180000234	1180000234

\* Quantities may vary

DOUBLE O-RING SEAL (Models 15-20)			
Item	Description	Qty	15/20
27	Rotor o-ring (viton)	2	1180000700
29	Rotor bolt washer o-ring (viton)	2	1180000700
50	Rotor bolt o-ring (viton)	2	1180000085
74	Inner seal o-ring (viton)	2	1180000350
75	Outer seal o-ring (viton)	2	1180000261
76	O-ring seal: double	2	1224000105
77	Shaft o-ring (viton)	2	1180000700
78	Flush o-ring (viton)	2	1180000701