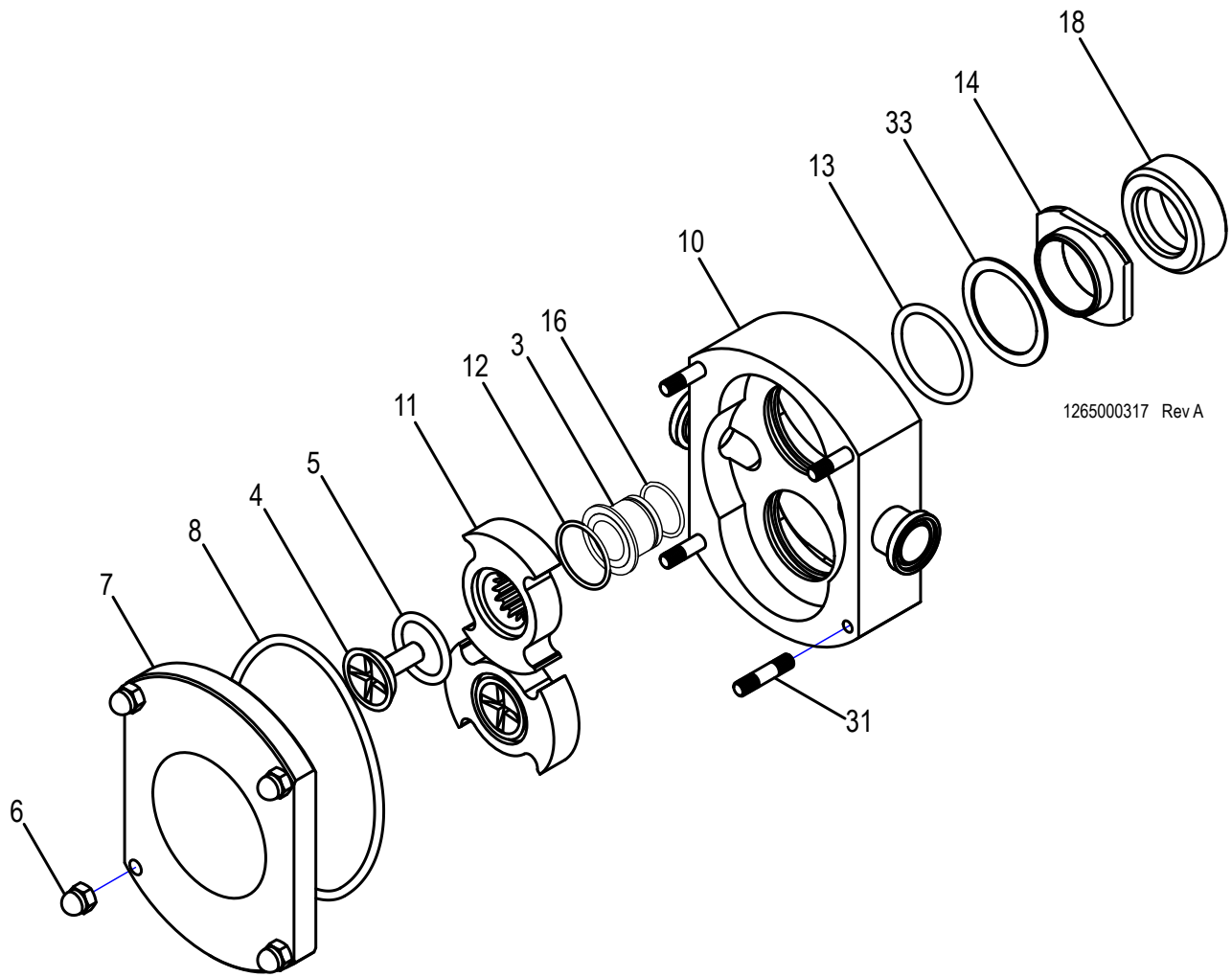


FL2 15 PART NUMBERS

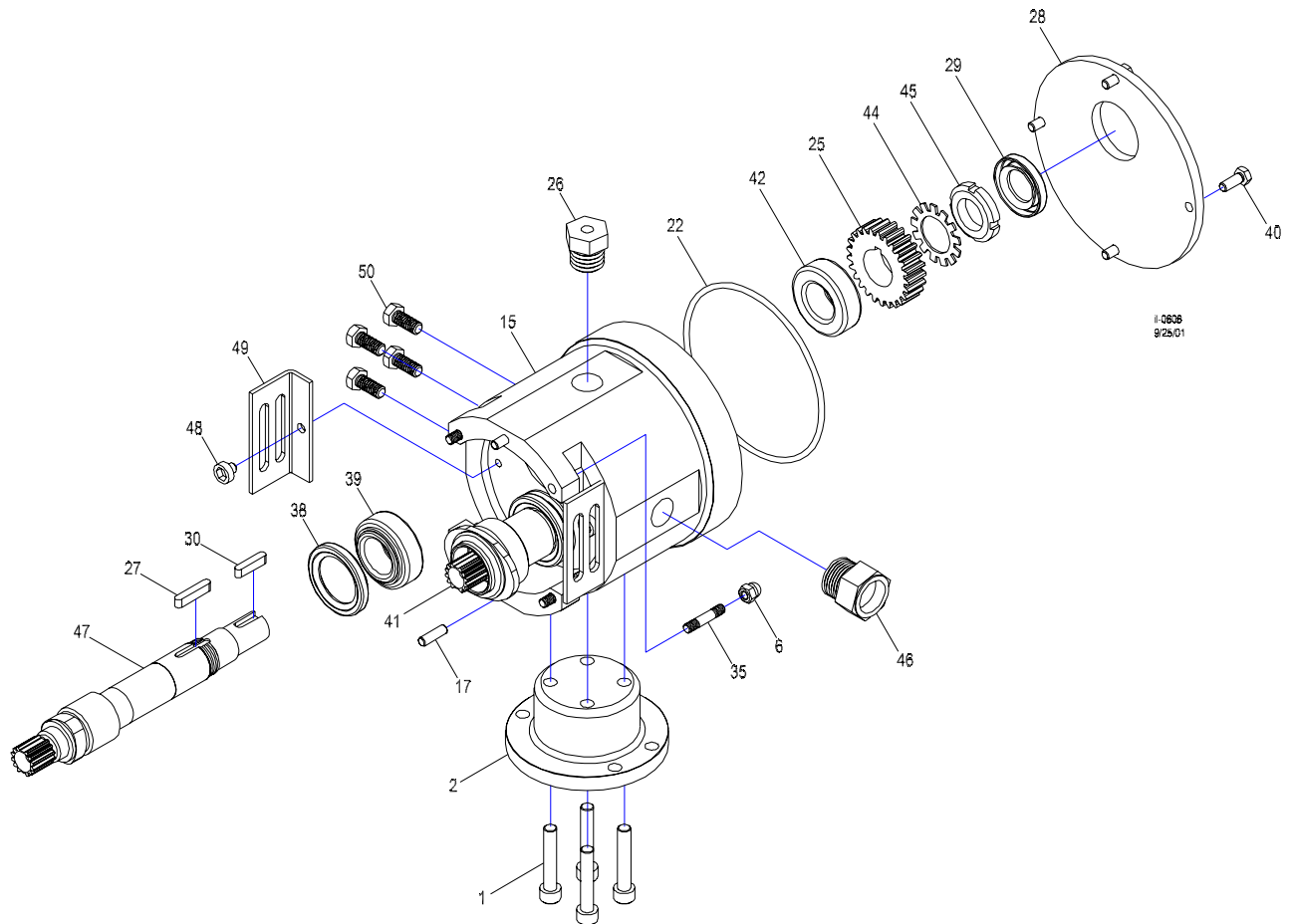
Item No.	Description	Qty.	Part No.	Item No.	Description	Qty.	Part No.
1	Mounting foot bolt	4	1101000129	28	Gearbox cover	1	1383001405
2	Mounting foot	1	1925001403	29	Rear oil seal	1	1812002503
3	Gapping shim	2	1224000110	30	Coupling key	1	1315002621
4	Rotor nut	2	1102004220	31	Cover stud	2	1103001406
5	Rotor nut o-ring (viton)	2	1180000379	32	Seal flush housing o-ring (viton)	1	1180000234
	Rotor nut o-ring (EPDM)		1180000393		Seal flush housing o-ring (EPDM)		1180000235
6	Cover/Housing nut	8	1103004836	33	Front seal spring	2	1820004238
7	Cover	1	1650621420	34	Water pipe	4	1910000011
8	Cover o-ring (viton)	1	1181000075	35	Housing stud	2	1103001407
	Cover o-ring (EPDM)		1180000557	37	Seal flush housing	1	1845001480
10	Housing	1	1650611412	38	Front oil seal	2	1812002516
11	Rotor (standard)	2	1650631408	39	Front bearing	2	1173001002
	Rotor (high temperature)		1650631409	40	Gearbox cover bolt	4	1101000040
12	Rotor o-ring (viton)	2	1180000121	41	Idle shaft	1	1382001461
	Rotor o-ring (EPDM)		1180000249	42	Rear bearing	2	1173001002
13	Front stationary seal o-ring (viton)	2	1180000380	44	Bearing lock washer	2	1104001003
	Front stationary seal o-ring (EPDM)		1180000395	45	Bearing lock nut	2	1103001004
14	Front stationary seal (carbon)	2	1815604240	46	Sight glass	1	1248000029
	Front stationary seal (silicon carbide)		1815600188	47	Drive shaft	1	1382001460
15	Gearbox	1	1310601401	48	Guard screw	2	1101000130
16	Gapping shim o-ring (viton)	2	1180000326	49	Guard	2	1936001437
	Gapping shim o-ring (EPDM)		1180000347	50	Bolt	4	1101000131
17	Pin	2	1891002618	51	Distance screw	2	1891001439
18	Rotating seal (chrome oxide/SS)	2	1810604241				
	Rotating seal (silicon carbide)		1810600149	Tool	Flat Cover Rotor Bolt Tool	1	1018004111
19	Rear seal spring	2	1820000060	Notes:			
20	Rear stationary seal (carbon)	2	1815604242				
21	Rear stationary seal o-ring (buna)	2	1180000387				
22	Rear cover o-ring (viton)	1	1180000919				
25	Gear	2	1365001404				
26	Oil plug	1	1248000023				
27	Gear key	2	1315002619				



1265000317 Rev A

FL2 15 & 58 EXPLODED VIEW

1	Mounting Foot Bolt	13	Front Stationary Seal O-ring
2	Mounting Foot	14	Front Stationary Seal
3	Gapping Spacer	15	Gearbox
4	Rotor Nut	16	Gapping Spacer O-Ring
5	Rotor Nut O-ring	17	Pin
6	Cover/Housing Nut	18	Rotating Seal
7	Cover	19	Rear Seal Spring (double seal only)
8	Cover O-ring	20	Rear Stationary Seal (double seal only)
10	Housing	21	Rear Stationary Seal O-ring (double seal only)
11	Rotor	22	Rear Cover O-ring



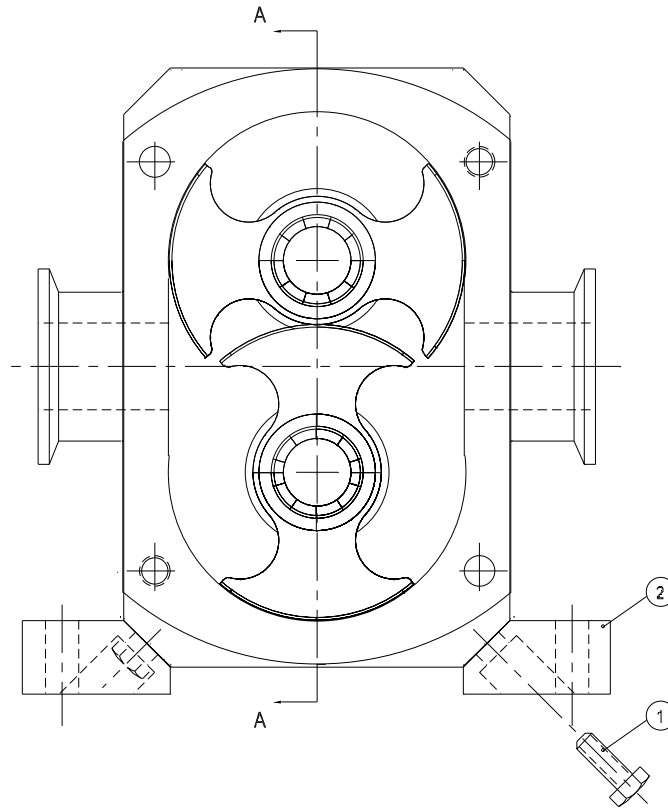
25	Gear	38	Front Oil Seal
26	Oil Plug	39	Front Bearing
27	Gear Key	40	Gearbox Cover Bolt
28	Gearbox Cover	41	Idle Shaft
29	Rear Oil Seal	42	Rear Bearing
30	Coupling Key	44	Bearing Lock Washer
31	Cover Stud	45	Bearing Lock Nut
32	Seal Flush Housing O-ring (double seal only)	46	Sight Glass
33	Front Seal Spring	47	Drive Shaft
34	Water Pipe (double seal only)	48	Guard screw (single seal only)
35	Housing Stud	49	Guard (single seal only)
37	Seal Flush Housing (double seal only)	50	Bolt
		51	Distance screw (double seal only)

FL2 58S PART NUMBERS

Item No.	Description	Qty.	Part No.	Item No.	Description	Qty.	Part No.
1	Mounting foot bolt	4	1101000129	28	Gearbox cover	1	1383001305
2	Mounting foot	1	1925001303	29	Rear oil seal	1	1812002503
3	Gapping shim	2	1224001330	30	Coupling key	1	1315002605
4	Rotor nut	2	1103003509	31	Cover stud	4	1103001506
5	Rotor nut o-ring (viton)	2	1180000379	32	Seal flush housing o-ring (viton)	1	1180000011
	Rotor nut o-ring (EPDM)		1180000393		Seal flush housing o-ring (EPDM)		1180000005
6	Cover/Housing nut	8	1103004836	33	Front seal spring	2	1820004238
7	Cover	1	1679621320	34	Water pipe	4	1910000011
8	Cover o-ring (viton)	1	1181000141	35	Housing stud	4	1103001506
	Cover o-ring (EPDM)		1181000081	37	Seal flush housing	1	1845001380
10	Housing	1	1678611312	38	Front oil seal	2	1812002517
11	Rotor (standard)	2	1678631308	39	Front bearing	2	1173001021
	Rotor (high temperature)		1678631312	40	Gearbox cover bolt	4	1101000040
12	Rotor o-ring (viton)	2	1180000326	41	Idle shaft	1	1382001397
	Rotor o-ring (EPDM)		1180000347	42	Rear bearing	2	1173001021
13	Front stationary seal o-ring (viton)	2	1180000380	44	Bearing lock washer	2	1104000023
	Front stationary seal o-ring (EPDM)		1180000395	45	Bearing lock nut	2	1103001012
14	Front stationary seal (carbon)	2	1815601340	46	Sight glass	1	1248000029
	Front stationary seal (silicon carbide)		1815600189	47	Drive shaft	1	1382001396
15	Gearbox	1	1310601301	48	Guard screw	2	1101000130
16	Gapping shim o-ring (viton)	2	1180000413	49	Guard	2	1936001437
	Gapping shim o-ring (EPDM)		1180000450	50	Bolt	4	1101000131
17	Pin	2	1891002606	51	Distance screw	2	1891001339
18	Rotating seal (chrome oxide/SS)	2	1810601341	Notes: special rotor bolt tool, see page 21			
	Rotating seal (silicon carbide)		1810600150				
19	Rear seal spring	2	1820000060				
20	Rear stationary seal (carbon)	2	1815604242				
21	Rear stationary seal o-ring (buna)	2	1180000569				
22	Rear cover o-ring (buna)	1	1180000568				
25	Gear	2	1365001304				
26	Oil plug	1	1248000023				
27	Gear key	2	1315002620				

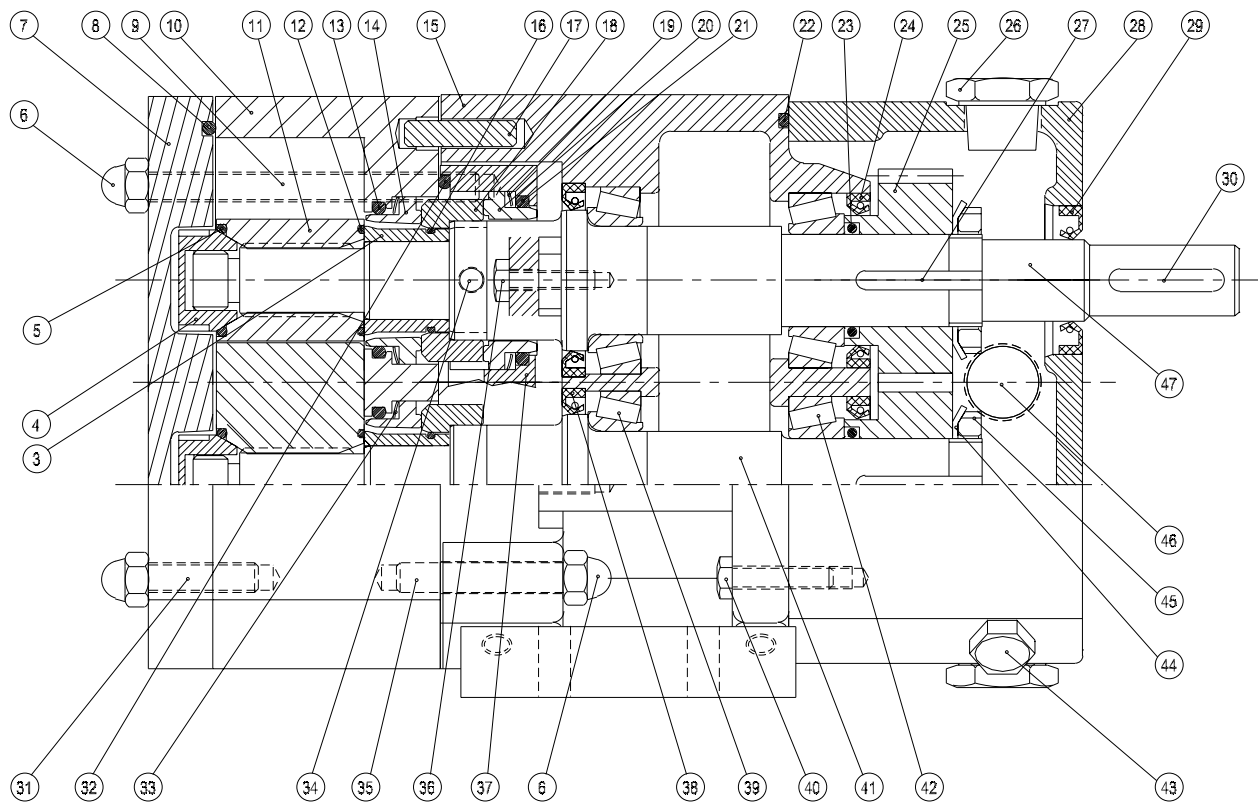
FL2 58L PART NUMBERS

Item No.	Description	Qty.	Part No.	Item No.	Description	Qty.	Part No.
1	Mounting foot bolt	4	1101000129	28	Gearbox cover	1	1383001305
2	Mounting foot	1	1925001303	29	Rear oil seal	1	1812002503
3	Gapping shim	2	1224001330	30	Coupling key	1	1315002605
4	Rotor nut	2	1103003509	31	Cover stud	4	1103001506
5	Rotor nut o-ring (viton)	2	1180000379	32	Seal flush housing o-ring (viton)	1	1180000011
	Rotor nut o-ring (EPDM)		1180000393		Seal flush housing o-ring (EPDM)		1180000005
6	Cover/Housing nut	8	1103000032	33	Front seal spring	2	1820004238
7	Cover	1	1679621320	34	Water pipe	4	1910000011
8	Cover o-ring (viton)	1	1181000141	35	Housing stud	4	1103001506
	Cover o-ring (EPDM)		1181000081	37	Seal flush housing	1	1845001380
10	Housing	1	1679611352	38	Front oil seal	2	1812002517
11	Rotor (standard)	2	1679631362	39	Front bearing	2	1173001021
	Rotor (high temperature)		1679631349	40	Gearbox cover bolt	4	1101000040
12	Rotor o-ring (viton)	2	1180000326	41	Idle shaft	1	1382001399
	Rotor o-ring (EPDM)		1180000347	42	Rear bearing	2	1173001021
13	Front stationary seal o-ring (viton)	2	1180000380	44	Bearing lock washer	2	1104000023
	Front stationary seal o-ring (EPDM)		1180000395	45	Bearing lock nut	2	1103001012
14	Front stationary seal (carbon)	2	1815601340	46	Sight glass	1	1248000029
	Front stationary seal (silicon carbide)		1815600189	47	Drive shaft	1	1382001398
15	Gearbox	1	1310601301	48	Guard screw	2	1101000130
16	Gapping shim o-ring (viton)	2	1180000413	49	Guard	2	1936001437
	Gapping shim o-ring (EPDM)		1180000450	50	Bolt	4	1101000131
17	Pin	2	1891002606	51	Distance screw	2	1891001339
18	Rotating seal (chrome oxide/SS)	2	1810601341	Notes: special rotor bolt tool, see page 21			
	Rotating seal (silicon carbide)		1810600150				
19	Rear seal spring	2	1820000060				
20	Rear stationary seal (carbon)	2	1815604242				
21	Rear stationary seal o-ring (buna)	2	1180000569				
22	Rear cover o-ring (buna)	1	1180000568				
25	Gear	2	1365001304				
26	Oil plug	1	1248000023				
27	Gear key	2	1315002620				



EXPLODED VIEW OF FL2 75 & 100

1	Mounting Foot Bolt	13	Front Stationary Seal O-ring
2	Mounting Foot	14	Front Stationary Seal
3	Gapping Spacer	15	Gearbox
4	Rotor Nut	16	Gapping Spacer O-ring
5	Rotor Nut O-ring	17	Housing Pins
6	Cover/Housing Dome Nuts	18	Rotating Seal
7	Cover	19	Rear Seal Spring
8	Cover O-ring	20	Rear Stationary Seal
9	Housing thru studs	21	Rear Stationary Seal O-ring
10	Pump Housing	22	Rear Cover O-ring
11	Rotor/Bi-wing Rotors	23	Rear Bearing O-ring
12	Rotor O-ring	24	Rear Bearing Lip Seal



SECTION A-A

1285000319
11/18/05

- | | | | |
|----|---------------------------|----|------------------------|
| 25 | Gear | 37 | Seal Flush Housing |
| 26 | Oil Fill Plug | 38 | Front Bearing Lip Seal |
| 27 | Gear Key | 39 | Front Bearing |
| 28 | Rear Cover | 40 | Rear Cover Bolt |
| 29 | Rear Cover Oil Seal | 41 | Idle Shaft |
| 30 | Coupling Key | 42 | Rear Bearing |
| 31 | Cover Studs | 43 | Drain Plug |
| 32 | Seal Flush Housing O-ring | 44 | Bearing Lock Washer |
| 33 | Front Seal Spring | 45 | Bearing Lock Nut |
| 34 | Water Pipe | 46 | Sight Glass |
| 35 | Housing Studs | 47 | Drive Shaft |
| 36 | Flush Housing Bolts | | |

FL2 75S PART NUMBERS

Item #	Part #	Description	QTY
1	1101000080	Mounting Foot Screw	4
2	1925004303	Foot (zinc plated)	2
2	1925004304	Foot (stainless steel)	2
2	1925004403	Vertical Mount Foot (zinc plated)	2
2	1925004404	Vertical Mount Foot (stainless steel)	2
3	1224004315	Gapping Spacer	2
4	1103003609	Rotor Nut	2
4	1102004420	Rotor Nut (flat cover)	2
5	1181000073	Rotor Nut O-ring (viton)	2
5	1181000079	Rotor Nut O-ring (epdm)	2
6	1101000137	Dome Nut	6
7	1687621620	Pump Cover	1
7	1687624320	Pump Cover (flat cover)	1
8	1181000072	Cover O-ring (viton)	1
8	1181000080	Cover O-ring (epdm)	1
9	1103004433	Thru Stud	2
10	1687614360	Pump Housing	1
11	1687634411	Rotor	2
12	1180000341	Rotor O-ring (viton)	2
12	1180000077	Rotor O-ring (epdm)	2
13	1180000044	Stationary Seal O-ring (viton)	2
13	1180000168	Stationary Seal O-ring (epdm)	2
14	1815604443	Front Stationary Seal (silicon carbide)	2
14	1815604440	Front Stationary Seal (carbon)	2
15	1310604301	Gearbox (cast iron)	1
15	1310604302	Gearbox (S.S.)	1
16	1180000350	Gapping Spacer O-ring (viton)	2
16	1180000076	Gapping Spacer O-ring (epdm)	2
17	1891002613	Pin	2
18	1810604444	Silicon Carbide Rotating	2
18	1810604441	Chrome Oxide Rotating	2
19	1820000015	Rear Spring	2
20	1815604442	Rear Stationary Seal (carbon)	2
21	1180000030	Rear Stationary Seal O-ring (buna)	2
22	1181000077	Rear Cover O-ring	1

Item #	Part #	Description	QTY
23	1180000354	Gear O-ring (viton)	2
24	1812002508	Gear Lip Seal	2
25	1381001604	Gear	2
26	1248000023	Vent Plug	1
27	1315002611	Gear Key	2
28	1383004305	Rear Cover (cast iron)	1
28	1383004306	Rear Cover (S.S.)	1
29	1812002509	Rear Lip Seal	1
30	1315002638	Coupler Key	1
31	1103001606	Front Housing Stud	2
32	1180000389	Seal Flush Housing O-ring (buna)	1
33	1820000062	Front Spring	2
34	1910000012	Water Pipe	4
35	1103001607	Rear Housing Stud	2
36	1101000080	Flush Housing Bolt	4
37	1845004380	Seal Flush Housing	1
38	1812002510	Front Lip Seal	2
39	1173001009	Front Bearing	2
40	1101000127	Rear Cover Bolt	4
41	1382004322	Idle Shaft	1
41	1382004324	Idle Shaft (flat cover)	1
42	1173001010	Rear Bearing	2
43	1248000012	Drain Plug	1
44	1104001011	Lock Washer	2
45	1103001012	Gear Nut	2
46	1248000029	Sight Glass	2
47	1382004321	Drive Shaft D	1
47	1382004323	rive Shaft (flat cover)	1

Note: special rotor bolt tool, see page 21

FL2 75L PART NUMBERS

Item #	Part #	Description	QTY
1	1101000080	Mounting Foot Screw	4
2	1925004303	Foot (zinc plated)	2
2	1925004304	Foot (stainless steel)	2
2	1925004403	Vertical Mount Foot (zinc plated)	2
2	1925004404	Vertical Mount Foot (stainless steel)	2
3	1224004315	Gapping Spacer	2
4	1103003609	Rotor Nut	2
4	1102004420	Rotor Nut (flat cover)	2
5	1181000073	Rotor Nut O-ring (viton)	2
5	1181000079	Rotor Nut O-ring (epdm)	2
6	1101000137	Dome Nut	6
7	1687621620	Pump Cover	1
7	1687624320	Pump Cover (flat cover)	1
8	1181000072	Cover O-ring (viton)	1
8	1181000080	Cover O-ring (epdm)	1
9	1103004433	Thru Stud	2
10	1687614360	Pump Housing	1
11	1687634411	Rotor	2
12	1180000341	Rotor O-ring (viton)	2
12	1180000077	Rotor O-ring (epdm)	2
13	1180000044	Stationary Seal O-ring (viton)	2
13	1180000168	Stationary Seal O-ring (epdm)	2
14	1815604443	Front Stationary Seal (silicon carbide)	2
14	1815604440	Front Stationary Seal (carbon)	2
15	1310604301	Gearbox (cast iron)	1
15	1310604302	Gearbox (S.S.)	1
16	1180000350	Gapping Spacer O-ring (viton)	2
16	1180000076	Gapping Spacer O-ring (epdm)	2
17	1891002613	Pin	2
18	1810604444	Silicon Carbide Rotating	2
18	1810604441	Chrome Oxide Rotating	2
19	1820000015	Rear Spring	2
20	1815604442	Rear Stationary Seal (carbon)	2
21	1180000030	Rear Stationary Seal O-ring (buna)	2
22	1181000077	Rear Cover O-ring	1

Item #	Part #	Description	QTY
23	1180000354	Gear O-ring	2
24	1812002508	Gear Lip Seal	2
25	1381001604	Gear	2
26	1248000023	Vent Plug	1
27	1315002611	Gear Key	2
28	1383004305	Rear Cover (cast iron)	1
28	1383004306	Rear Cover (S.S.)	1
29	1812002509	Rear Lip Seal	1
30	1315002638	Coupler Key	1
31	1103001606	Front Housing Stud	2
32	1180000389	Seal Flush Housing O-ring (buna)	1
33	1820000062	Front Spring	2
34	1910000012	Water Pipe	4
35	1103001607	Rear Housing Stud	2
36	1101000080	Flush Housing Bolt	4
37	1845004380	Seal Flush Housing	1
38	1812002510	Front Lip Seal	2
39	1173001009	Front Bearing	2
40	1101000127	Rear Cover Bolt	4
41	1382004332	Idle Shaft	1
41	1382004334	Idle Shaft (flat cover)	1
42	1173001010	Rear Bearing	2
43	1248000012	Drain Plug	1
44	1104001011	Lock Washer	2
45	1103001012	Gear Nut	2
46	1248000029	Sight Glass	2
47	1382004331	Drive Shaft	1
47	1382004333	Drive Shaft (flat cover)	1

Note: special rotor bolt tool, see page 21

FL2 100S PART NUMBERS

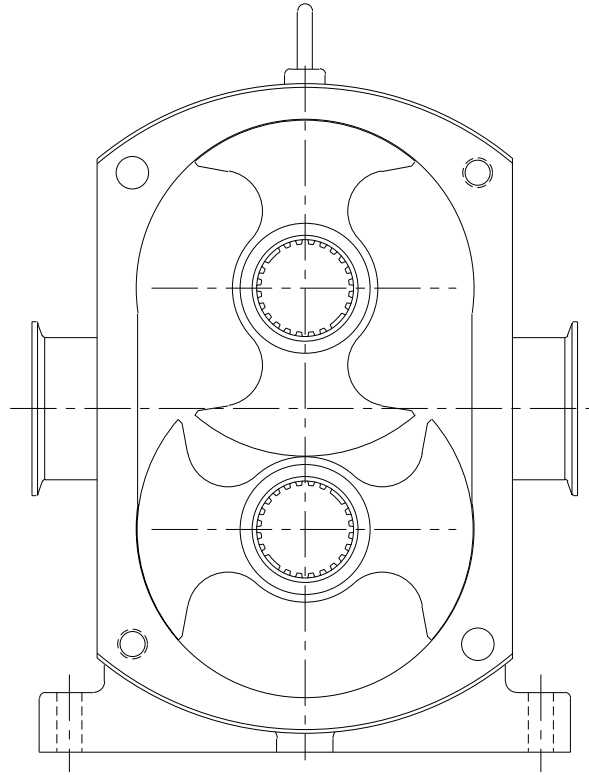
Item #	Part #	Description	QTY
1	1101000007	Mounting Foot Screw	4
2	1925004503	Foot (zinc plated)	2
3	1224004515	Gapping Spacer	2
4	1103003709	Rotor Nut	2
5	1180000260	Rotor Nut O-ring (viton)	2
5	1180000394	Rotor Nut O-ring (epdm)	2
6	1103004835	Dome Nut	6
7	1692621720	Pump Cover	1
8	1180000998	Cover O-ring (viton)	1
8	1180000007	Cover O-ring (epdm)	1
9	1103004632	Thru Stud	2
10	1690614540	Pump Housing	1
11	1690634601	Rotor	2
12	1180000383	Rotor O-ring (viton)	2
12	1180000397	Rotor O-ring (epdm)	2
13	1180000253	Stationary Seal O-ring (viton)	2
13	1180000278	Stationary Seal O-ring (epdm)	2
14	1815004643	Silicon Carbide Stationary	2
14	1815004640	Carbon Stationary	2
15	1310604501	Gearbox (cast iron)	1
16	1180000343	Gapping Spacer O-ring (viton)	2
16	1180000396	Gapping Spacer O-ring (epdm)	2
17	1891002609	Pin	2
18	1810604644	Silicon Carbide Rotating	2
18	1810604641	Chrome Oxide Rotating	2
19	1820000029	Rear Spring	2
20	1815604640	Rear Seal (carbon)	2
21	1180000253	Rear Stationary Seal O-ring (viton)	2
22	1180000385	Rear Cover O-ring	1
23	1180000378	Gear O-ring	2
24	1812002505	Rear Lip Seal	2
25	1381001704	Gear	2

Item #	Part #	Description	QTY
26	1248000023	Vent Plug	1
27	1315002607	Gear Key	2
28	1383004505	Rear Cover (cast iron)	1
29	1812002507	Rear Cover Lip Seal	1
30	1315002637	Coupler Key	1
31	1103001706	Front Housing Stud	2
32	1180000390	Seal Flush Housing O-ring (buna)	1
33	1820000029	Front Spring	2
34	1910000013	Water Pipe	4
35	1103001707	Rear Housing Stud	2
36	1101000080	Flush Housing Bolt	4
37	1845004580	Seal Flush Housing	1
38	1812002504	Front Lip Seal	2
39	1173001005	Front Bearing	2
40	1101000136	Rear Cover Bolt	4
41	1382004522	Idle Shaft	1
42	1173000008	Rear Bearing	2
43	1248002614	Drain Plug	1
44	1104001021	Lock Washer	2
45	1103001008	Gear Nut	2
46	1248000029	Sight Glass	2
47	1382004521	Drive Shaft	1

FL2 100L PART NUMBERS

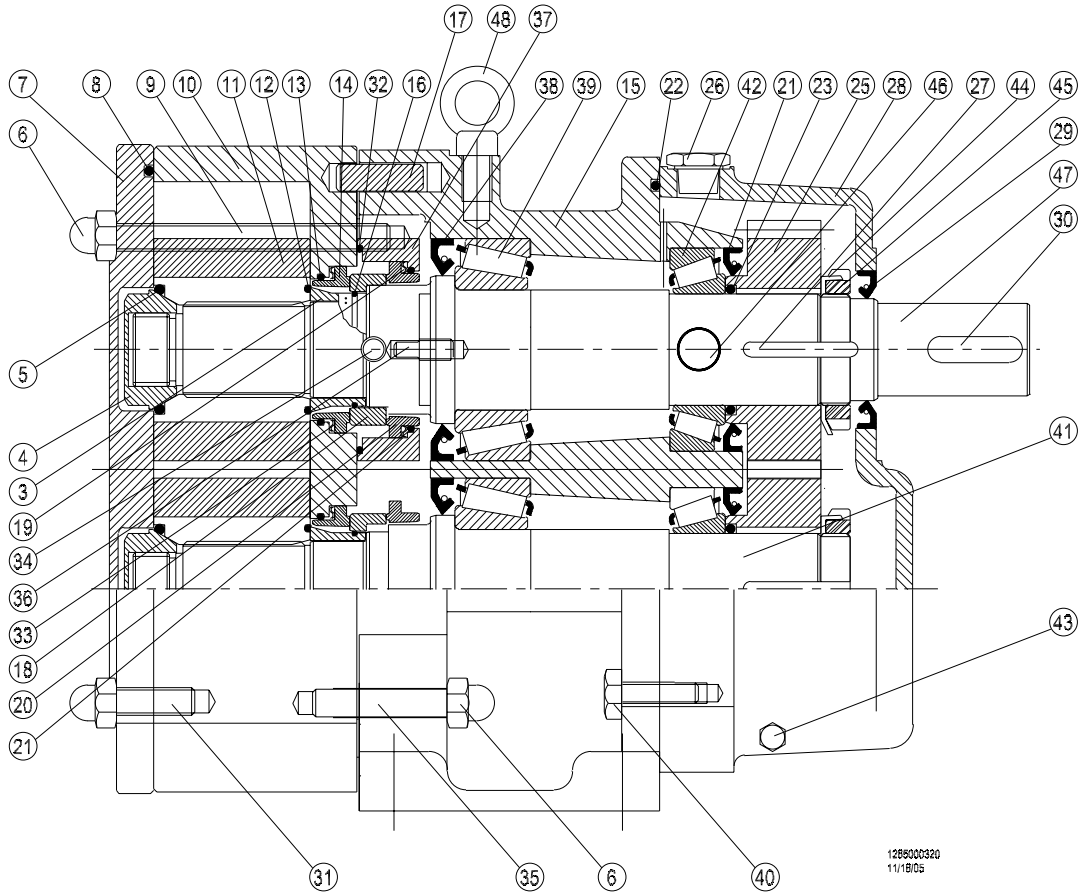
Item #	Part #	Description	QTY
1	1101000007	Mounting Foot Screw	4
2	1925004503	Foot (zinc plated)	2
3	1224004515	Gapping Spacer	2
4	1103003709	Rotor Nut	2
5	1180000260	Rotor Nut O-ring (viton)	2
5	1180000394	Rotor Nut O-ring (epdm)	2
6	1103004835	Dome Nut	6
7	1692621720	Pump Cover	1
8	1180000998	Cover O-ring (viton)	1
8	1180000007	Cover O-ring (epdm)	1
9	1103004633	Thru Stud	2
10	1692614560	Pump Housing	1
11	1692634611	Rotor	2
12	1180000383	Rotor O-ring (viton)	2
12	1180000397	Rotor O-ring (epdm)	2
13	1180000253	Stationary Seal O-ring (viton)	2
13	1180000278	Stationary Seal O-ring (epdm)	2
14	1815604643	Silicon Carbide Stationary	2
14	1815604640	Carbon Stationary	2
15	1310604501	Gearbox (cast iron)	1
16	1180000343	Gapping Spacer O-ring (viton)	2
16	1180000396	Gapping Spacer O-ring (epdm)	2
17	1891002609	Pin	2
18	1810604644	Silicon Carbide Rotating	2
18	1810604641	Chrome Oxide Rotating	2
19	1820000029	Rear Spring	2
20	1815004640	Rear Seal (carbon)	2
21	1180000253	Rear Stationary Seal O-ring (viton)	2
22	1180000385	Rear Cover O-ring	1
23	1180000378	Gear O-ring	2
24	1812002505	Rear Lip Seal	2
25	1381001704	Gear	2

Item #	Part #	Description	QTY
26	1248000023	Vent Plug	1
27	1315002607	Gear Key	2
28	1383004505	Rear Cover (cast iron)	1
29	1812002507	Rear Cover Lip Seal	1
30	1315002637	Coupler Key	1
31	1103001706	Front Housing Stud	2
32	1180000390	Seal Flush Housing O-ring (buna)	1
33	1820000029	Front Spring	2
34	1910000013	Water Pipe	4
35	1103001707	Rear Housing Stud	2
36	1101000080	Flush Housing Bolt	4
37	1845004580	Seal Flush Housing	1
38	1812002504	Front Lip Seal	2
39	1173001005	Front Bearing	2
40	1101000134	Rear Cover Bolt	4
41	1382004532	Idle Shaft	1
42	1173000008	Rear Bearing	2
43	1248002614	Drain Plug	1
44	1104000021	Lock Washer	2
45	1103001008	Gear Nut	2
46	1248000029	Sight Glass	2
47	1382004531	Drive Shaft	1



FL2 130 EXPLODED VIEW

3	Gapping Spacer	19	Rear Seal Spring
4	Rotor Nut	20	Rear Stationary Seal
5	Rotor Nut O-ring	21	Rear Stationary Seal O-ring
6	Cover/Housing Dome Nuts	22	Rear Cover O-ring
7	Cover	23	Rear Bearing O-ring
8	Cover O-ring	24	Rear Bearing Lip Seal
9	Housing thru studs	25	Gear
10	Pump Housing	26	Oil Fill Plug
11	Rotor/Bi-wing Rotors	27	Gear Key
12	Rotor O-ring	28	Rear Cover
13	Front Stationary Seal O-ring	29	Rear Cover Oil Seal
14	Front Stationary Seal	30	Coupling Key
15	Gearbox	31	Cover Studs
16	Gapping Spacer O-ring	32	Seal Flush Housing O-ring
17	Housing Pins	33	Front Seal Spring
18	Rotating Seal	34	Water Pipe



- 35 Housing Studs
- 36 Seal Flush Housing Pins
- 37 Seal Flush Housing
- 38 Front Bearing Lip Seal
- 39 Front Bearing
- 40 Rear Cover Bolt
- 41 Idle Shaft
- 42 Rear Bearing
- 43 Drain Plug
- 44 Bearing Lock Washer
- 45 Bearing Lock Nut
- 46 Sight Glass
- 47 Drive Shaft
- 48. Lifting Lug

FL2 130S PART NUMBERS

Item #	Part #	Description	QTY
3	1224004715	Gapping spacer	2
4	1103001809	Rotor bolt	2
5	1180000384	Rotot bolt o-ring (viton)	2
5	1180000392	Rotor bolt o-ring (EPDM)	2
6	1103000010	Cover nut	6
7	1692621820	Pump cover	1
8	1181000074	Cover o-ring (viton)	1
8	1181000082	Cover o-ring (EPDM)	1
9	1103004832	Housing stud FL2 130S	2
10	1695614740	Pump housing with 3" clamp fittings	1
10	1695614742	Pump housing with 4" clamp fittings	1
11	1695634801	Rotor	2
12	1180000233	Rotor o-ring (viton)	2
13	1180000381	Front stationary seal o-ring (viton)	2
13	1180000365	Front stationary seal o-ring (EPDM)	2
14	1815004840	Front stationary seal (carbon)	2
14	1815004843	Front stationary seal (silicon carbide)	2
15	1310604702	Gearbox (cast iron) horizontal	1
15	1310604701	Gearbox (cast iron) vertical	1
16	1180000115	Gapping spacer o-ring (viton)	2
16	1180000205	Gapping spacer o-ring (EPDM)	2
17	1891002617	Housing pins	2
18	1810604841	Rotating seal (chrome oxide)	2
18	1810604844	Rotating seal (silicon carbide)	2
19	1820004839	Rear seal wave spring	2
20	1815604842	Rear stationary seal (carbon)	2
21	1180000388	Rear stationary seal o-ring (buna)	2
22	1180000339	Rear cover o-ring (buna)	1
23	1181000078	Rear Bearing o-ring	2
24	1812002514	Rear oil seal	2
25	1381001804	Gear	2

Item #	Part #	Description	QTY
26	1248000023	Vent plug	1
27	1315002635	Gear key	2
28	1383001805	Rear cover (cast iron)	1
29	1812002515	Rear cover oil seal	1
30	1315002636	Coupling key	1
31	1103001806	Cover studs	2
32	1180000382	Seal flush housing o-ring (viton)	1
33	1820004838	Front seal wave spring	2
34	1910000013	Water pipe	4
35	1103001807	Housing stud	2
36	1103004834	Seal flush housing stud	4
37	1845004780	Seal flush housing	2
38	1812002513	Front oil seal	2
39	1173001017	Front bearing	2
40	1101000138	Rear cover bolt	4
41	1382004722	Idle shaft	1
42	1173001018	Rear bearing	2
43	1248002614	Oil drain plug	1
44	1104001019	Bearing lock nut washer	2
45	1103001020	Bearing lock nut	2
46	1248000029	Sight glass	2
47	1382004721	Drive shaft	1
48	1101001826	Eyebolt	1
	1936004717	Shaft guard	2

FL2 130L PART NUMBERS

Item #	Part #	Description	QTY
3	1224004715	Gapping spacer	2
4	1103001809	Rotor bolt	2
5	1180000384	Rotot bolt o-ring (viton)	2
5	1180000392	Rotor bolt o-ring (EPDM)	2
6	1103000010	Cover nut	6
7	1692621820	Pump cover	1
8	1181000074	Cover o-ring (viton)	1
8	1181000082	Cover o-ring (EPDM)	1
9	1103004833	Housing stud FL2 130L	2
10	1697614760	Pump housing -4" clamp fittings	1
11	1695634801	Rotor	2
12	1180000233	Rotor o-ring (viton)	2
13	1180000381	Front stationary seal o-ring (viton)	2
13	1180000365	Front stationary seal o-ring (EPDM)	2
14	1815004840	Front stationary seal (carbon)	2
14	1815004843	Front stationary seal (silicon carbide)	2
15	1310604702	Gearbox (cast iron) horizontal	1
15	1310604701	Gearbox (cast iron) vertical	1
16	1180000115	Gapping spacer o-ring (viton)	2
16	1180000205	Gapping spacer o-ring (EPDM)	2
17	1891002617	Housing pins	2
18	1810604841	Rotating seal (chrome oxide)	2
18	1810604844	Rotating seal (silicon carbide)	2
19	1820004839	Rear seal wave spring	2
20	1815604842	Rear stationary seal (carbon)	2
21	1180000388	Rear stationary seal o-ring (buna)	2
22	1180000339	Rear cover o-ring (buna)	1
23	1181000078	Rear bearing o-ring (viton)	2
24	1812002514	Rear oil seal	2
25	1381001804	Gear	2

Item #	Part #	Description	QTY
26	1248000023	Vent plug	1
27	1315002635	Gear key	2
28	1383001805	Rear cover (cast iron)	1
29	1812002515	Rear cover oil seal	1
30	1315002636	Coupling key	1
31	1103001806	Cover stud	2
32	1180000382	Seal flush housing o-ring (viton)	2
33	1820004838	Front seal wave spring	2
34	1910000013	Water pipe	4
35	1103001807	Housing stud	2
36	1103004834	Seal flush housing stud	4
37	1845004780	Seal flush housing	2
38	1812002513	Front oil seal	2
39	1173001017	Front bearing	2
40	1101000138	Rear cover bolt	4
41	1382004722	Idle shaft	1
42	1173001018	Rear bearing	2
43	1248002614	Oil drain plug	1
44	1104001019	Gear locknut washer	2
45	1103001020	Gear locknut	2
46	1248000029	Sight glass	2
47	1382004721	Drive shaft	1
48	1101001826	E yebolt	1
	1936004717	Shaft guard	2