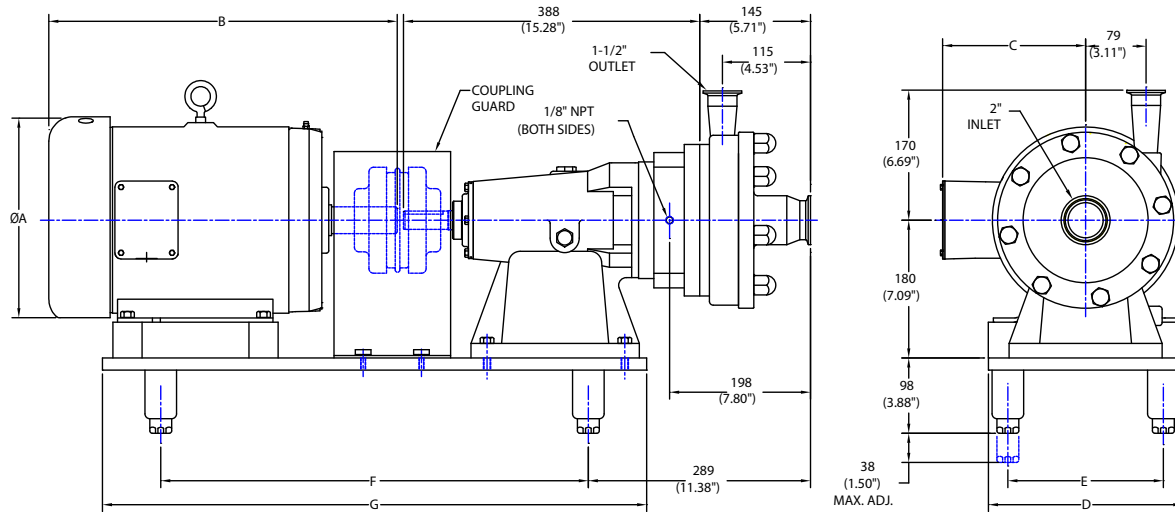


FPH/FPHP 722 Dimensional Drawing



MOTOR HP	NEMA FRAME	ØA	B	C	D	E	F	G
3 HP	182T	216	385	132	279.4	228.6	444.5	596.9
		(8.50")	(15.14")	(5.21")	(11.00")	(9.00")	(17.50")	(23.50")
5 HP	184T	420	420	152	279.4	228.6	469.9	622.3
		(16.55")	(16.55")	(5.97")	(11.00")	(9.00")	(18.50")	(24.50")
7.5 HP	213T	469	469	220	279.4	228.6	520.7	673.1
		(18.47")	(18.47")	(8.67")	(11.00")	(9.00")	(20.50")	(26.50")
10 HP	215T	469	469	220	279.4	228.6	558.8	711.2
		(18.47")	(18.47")	(8.67")	(11.00")	(9.00")	(22.00")	(28.00")

1265000457 REV A

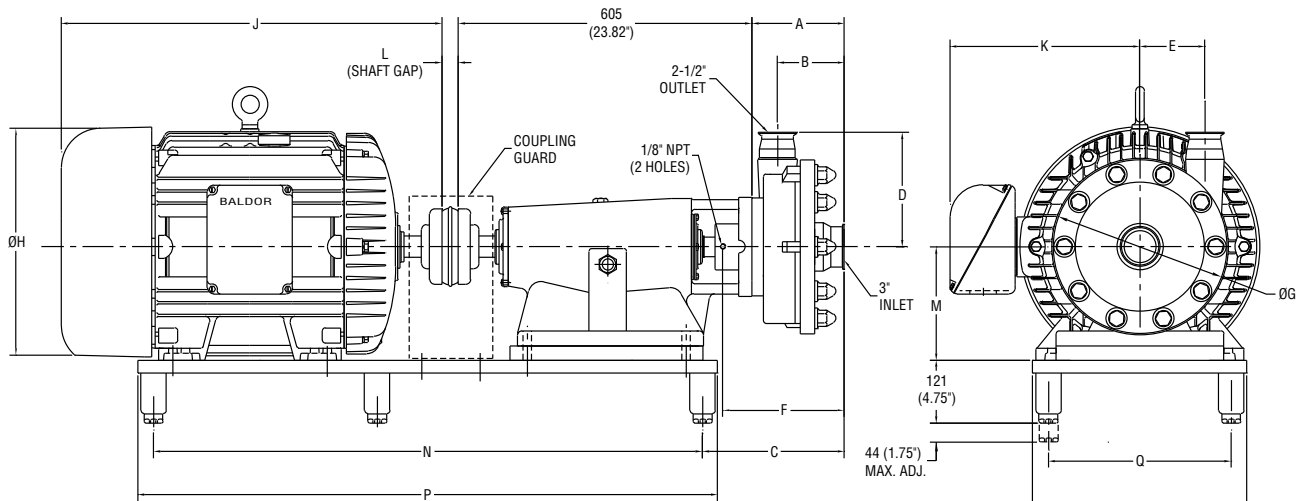
NOTE:

ALL DIMENSIONS ARE IN MILLIMETERS (INCHES) UNLESS OTHERWISE SPECIFIED.

MOTOR DIMENSIONS MAY VARY DEPENDING ON MANUFACTURER REQUESTED.

PUMP DIMENSIONS ARE BASED ON CLAMP FITTINGS.

FPH/FPHP 3500 Series Dimensional Drawing



Note: All dimensions are in millimeters (inches) unless otherwise specified.
 Motor dimensions may vary depending on manufacturer requested.
 Pump dimensions are based on clamp fittings.

1265000458 Rev-

Pump Model	A	B	C	D	E	F	G
FPH & FPHP 3542	165 (6.50")	119 (4.68")	263 (10.35")	211 (8.31")	115 (4.53")	224 (8.82")	290 (11.42")
FPH 3552	171 (6.73")	120 (4.72")	266 (10.59")	231 (9.09")	140 (5.51")	230 (9.06")	350 (13.78")

Motor HP	NEMA Frame	H	J	K	L	M	N	P	Q	R
10 HP	215T	263 (10.34")	469 (18.47")	220 (8.67")	16 (.63")	133 (5.25")	1083 (42.62")	1143 (45.00")	321 (12.62")	381 (15.00")
15 HP	254T	270 (10.62")	536 (21.09")	225 (8.86")	6 (.25")	200 (7.87")	1083 (42.62")	1143 (45.00")	321 (12.62")	381 (15.00")
20HP	256T	270 (10.62")	580 (22.84")	225 (8.86")	6 (.25")	200 (7.87")	1083 (42.62")	1143 (45.00")	321 (12.62")	381 (15.00")
25HP	284TS	395 (15.56")	670 (26.39")	333 (13.11")	19 (.75")	200 (7.87")	1083 (42.62")	1143 (45.00")	321 (12.62")	381 (15.00")
30HP	286TS	395 (15.56")	670 (26.39")	333 (13.11")	19 (.75")	200 (7.87")	1083 (42.62")	1143 (45.00")	321 (12.62")	381 (15.00")
40HP	324TS	430 (16.94")	731 (28.78")	371 (14.62")	6 (.25")	203 (8.00")	1083 (42.62")	1143 (45.00")	321 (12.62")	381 (15.00")
50HP	326TS	430 (16.94")	731 (28.78")	371 (14.62")	6 (.25")	203 (8.00")	1083 (42.62")	1143 (45.00")	321 (12.62")	381 (15.00")
60HP	364TS	483 (19.00")	780 (30.72")	380 (14.96")	6 (.25")	229 (9.00")	1108 (43.62")	1168 (46.00")	371 (14.62")	432 (17.00")
75HP	365TS	483 (19.00")	780 (30.72")	380 (14.96")	6 (.25")	229 (9.00")	1108 (43.62")	1168 (46.00")	371 (14.62")	432 (17.00")