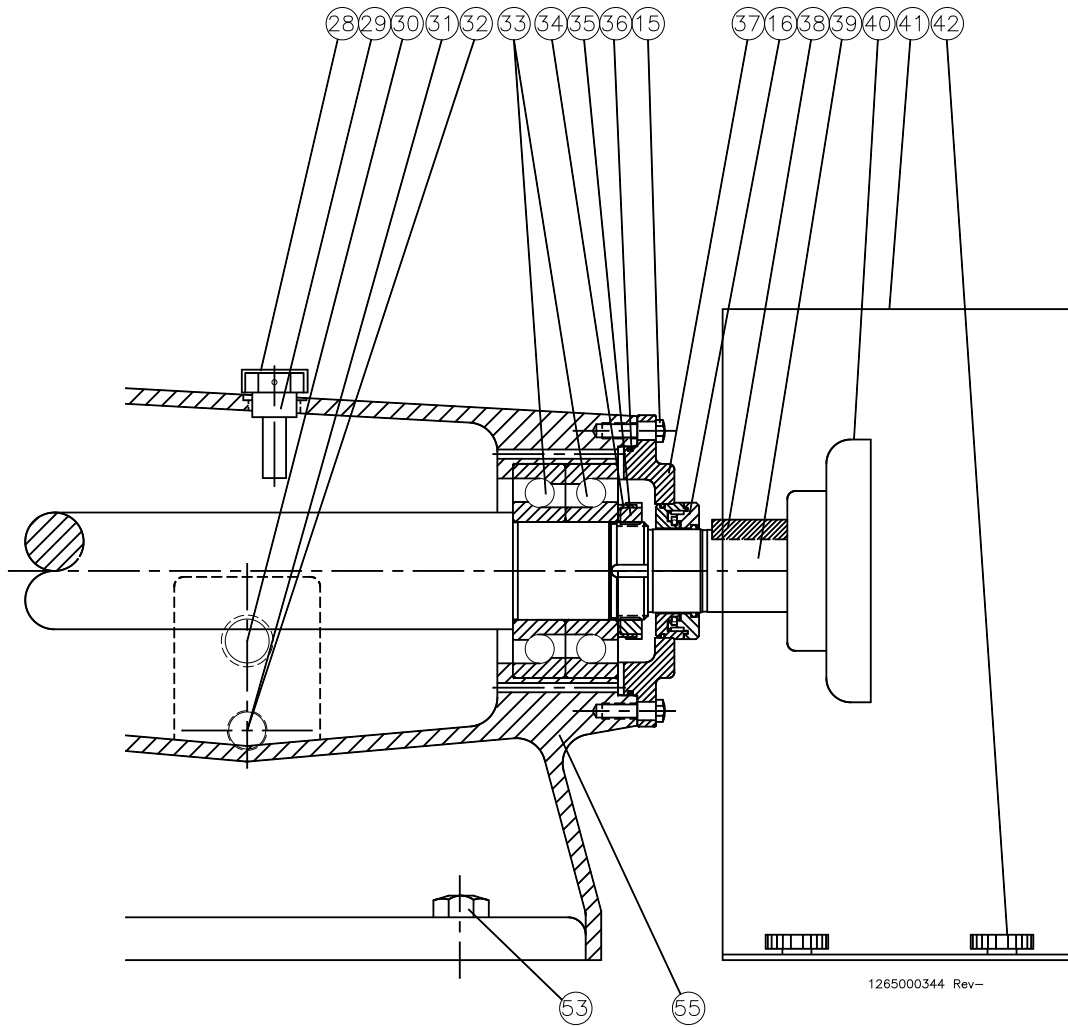


FIGURE 15: FPH & FPHP 3542 AND FPH 3552 ASSEMBLY

- | | | | |
|-----|------------------------|-----|-----------------------|
| 1. | Impeller Nut | 16. | Labyrinth Seal |
| 2. | Cover Nut | 17. | O-ring |
| 3. | Cover Gasket | 18. | Flat Gasket |
| 4. | Housing Stud | 19. | Stationary Water Seal |
| 5. | Pump Housing | 20. | Rotating Water Seal |
| 6. | Impeller | 21. | Seal Retaining Ring |
| 7. | Impeller Key | 22. | Seal Housing Bolt |
| 8. | Rotating Seal o-ring | 23. | Water Seal o-ring |
| 9. | Seal Driver | 24. | Water Seal Drive Ring |
| 10. | Rotating Seal | 25. | Seal Spring |
| 11. | Seal Spring | 26. | Seal Driver |
| 12. | Lock Washer | 27. | Set Screw |
| 13. | Pump Housing Bolt | 28. | Breather Cap |
| 14. | Stationary Seal o-ring | 29. | Oil Breather |
| 15. | Bearing Cap Bolt | 30. | Sight Glass |



1265000344 Rev--

- | | | | |
|-----|---------------------------------------|-----|----------------------|
| 31. | Drain Plug Nipple | 46. | O-ring |
| 32. | Drain Plug Cap | 47. | Gapping Spacer |
| 33. | Thrust Bearing | 48. | Stationary Seal Ring |
| 34. | Bearing Lock Washer | 49. | Housing Pin |
| 35. | Bearing Lock Nut | 50. | Snap Ring |
| 36. | O-ring | 51. | Front Bearing Cap |
| 37. | Rear Bearing Cap | 52. | Radial Bearing |
| 38. | Coupling Key | 53. | Mounting bolt |
| 39. | Pump Shaft | 54. | Water Pipe |
| 40. | Coupling Flange | 55. | Bearing Block |
| 41. | Coupling Guard | | |
| 42. | Guard Screw | | |
| 43. | Flat washer | | |
| 44. | Impeller Nut Gasket & Impeller Gasket | | |
| 45. | Cover | | |

FPH/FPHP 3542

Item No.	Description	Part No.	Qty.
1	Impeller nut	1954000005	1
2	Cover nuts	1103000022	10
3	Cover gasket (viton)	1180000336	1
4	Housing stud	1103000001	10
5	FPH/FPHP 3542 housing	1448610004	1
6	Impeller	1458630243	1
7	Impeller key	1315000023	1
8	O-ring (viton)	1180000030	1
9	Seal driver	1811000021	1
10	Rotating seal ring (silicon carbide)	1810600155	1
11	Seal spring	1820000025	1
12	Lock washer	1104000031	4
13	Pump housing bolt	1101000102	4
14	O-ring (viton)	1181000099	1
15	Bearing cap bolt	1101000096	10
16	Labyrinth seal	1812000023	2
17	Front bearing cap o-ring	1180000148	1
18	Flat gasket	1181000047	1
19	Stationary water seal - ceramic	1815600093	1
20	Rotating water seal ring	1810600056	1
21	Seal retaining ring	1148000023	1
22	Seal housing bolt	1101000086	4
23	O-ring (viton)	1180000329	1
24	Water seal drive ring	1811000027	1
25	Water seal spring	1820000016	1
26	Water seal driver	1811000023	1
27	Set screw	1101000112	2

Item No.	Description	Part No.	Qty.
28	Breather cap	1248000009	1
29	Oil breather	1248000007	1
30	Sight glass	1248000018	2
31	Drain plug nipple	1226000006	1
32	Drain plug cap	1226000007	1
33	Thrust bearing (set)	1173000004	1
34	Bearing lock washer	1104000016	1
35	Bearing lock nut	1306000005	1
36	Rear bearing cap o-ring	1180000149	1
37	Rear bearing cap	1303000009	1
38	Coupling key	1315000008	1
39	Pump shaft	1321000181	1
43	Flat washer	1104000005	10
44	Impeller nut gasket (viton)	1181000098	2
45	FPH 3542 cover	1448620336	1
45	FPHP 3542 cover	1448620337	1
46	Seal driver o-ring	1180000086	1
47	Gapping spacer (7.7 mm)	1224000046	1
47	Gapping spacer (8.0 mm)		1
48	Stationary seal ring (silicon carbide)	1815600196	1
50	Snap ring	1148000005	1
51	Front bearing cap	1303000008	1
52	Radial bearing	1173000012	1
54	Water pipe	1910000007	2
55	Bearing block	1310600038	1

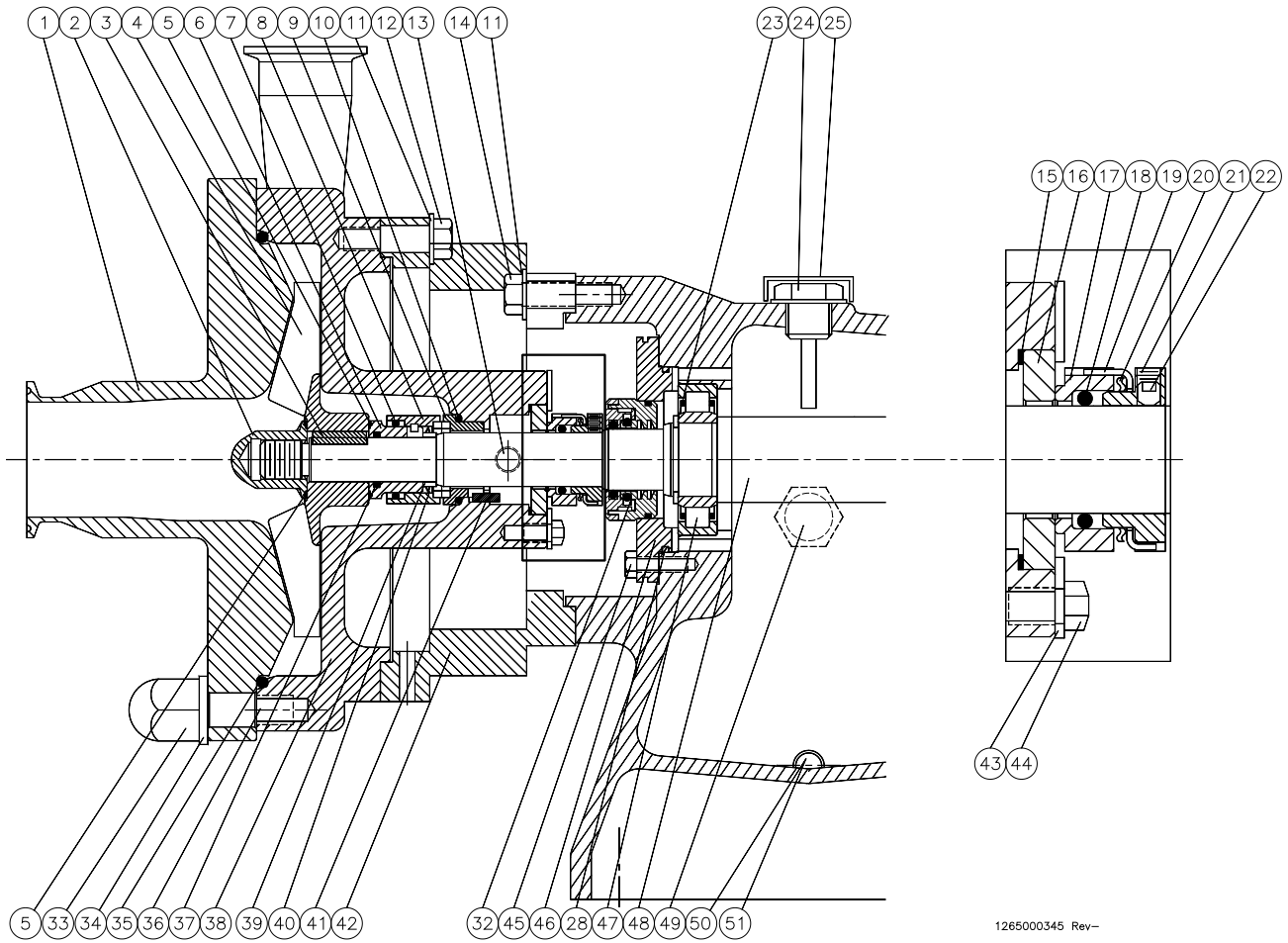
* = impellers are available in a variety of sizes. Please check with Fristam Pumps

FPH 3552

Item No.	Description	Part No.	Qty.
1	Impeller nut	1954000005	1
2	Cover nuts	1103000022	10
3	Cover gasket (viton)	1180000336	1
4	Housing stud	1103000001	10
5	FPH 3552 housing	1458610004	1
6	Impeller	1458630243	1
7	Impeller key	1315000023	1
8	O-ring (viton)	1180000030	1
9	Seal driver	1811000021	1
10	Rotating seal ring (silicon carbide)	1810600155	1
11	Seal spring	1820000025	1
12	Lock washer	1104000031	4
13	Pump housing bolt	1101000102	4
14	O-ring (viton)	1181000099	1
15	Bearing cap bolt	1101000096	10
16	Labyrinth seal	1812000023	2
17	Front bearing cap o-ring	1180000148	1
18	Flat gasket	1181000047	1
19	Stationary water seal - ceramic	1815600093	1
20	Rotating water seal ring	1810600056	1
21	Seal retaining ring	1148000023	1
22	Seal housing bolt	1101000086	4
23	O-ring (viton)	1180000329	1
24	Water seal drive ring	1811000027	1
25	Water seal spring	1820000016	1
26	Water seal driver	1811000023	1
27	Set screw	1101000112	2

Item No.	Description	Part No.	Qty.
28	Breather cap	1248000009	1
29	Oil breather	1248000007	1
30	Sight glass	1248000018	2
31	Drain plug nipple	1226000006	1
32	Drain plug cap	1226000007	1
33	Thrust bearing (set)	1173000004	1
34	Bearing lock washer	1104000016	1
35	Bearing lock nut	1306000003	1
36	Rear bearing cap o-ring	1180000149	1
37	Rear bearing cap	1303000009	1
38	Coupling key	1315000008	1
39	Pump shaft	1321000181	1
43	Flat washer	1104000005	10
44	Impeller nut gasket (viton)	1181000098	2
45	FPH 3552 cover	1458620501	1
46	Seal driver o-ring	1180000086	1
47	Gapping spacer (7.7 mm)	1224000042	1
47	Gapping spacer (8.0 mm)		1
48	Stationary seal ring (silicon carbide)	1815600196	1
50	Snap ring	1148000005	1
51	Front bearing cap	1303000008	1
52	Radial bearing	1173000012	1
54	Water pipe	1910000007	2
55	Bearing block	1310600038	1

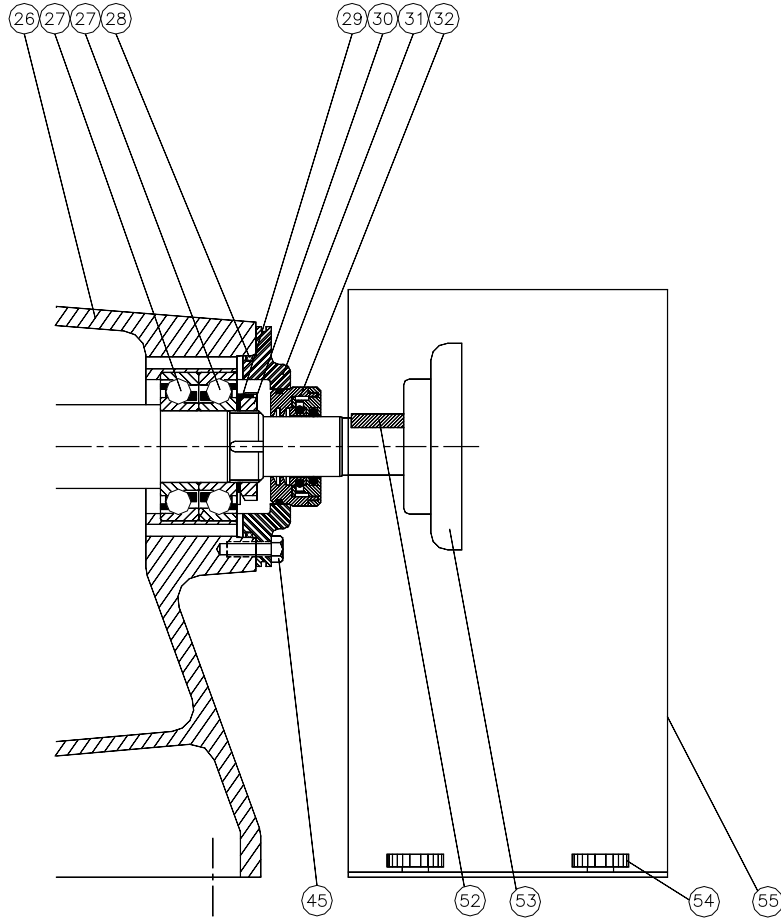
* = impellers are available in a variety of sizes. Please check with Fristam Pumps



1265000345 Rev--

FIGURE 16: FPHP 722 ASSEMBLY

- | | | | |
|-----|------------------------|-----|--------------------------|
| 1. | Pump Cover | 16. | Stationary Flush seal |
| 2. | Impeller Nut | 17. | Rotating Flush seal Ring |
| 3. | Impeller Key | 18. | Flush seal o-ring |
| 4. | Impeller | 19. | Flush seal Drive Ring |
| 5. | Impeller Gasket | 20. | Seal Spring |
| 6. | Seal Driver | 21. | Seal Driver |
| 7. | Rotating Seal o-ring | 22. | Set Screw |
| 8. | Rotating Seal | 23. | Snap Ring |
| 9. | Stationary Seal | 24. | Oil Breather |
| 10. | Stationary Seal o-ring | 25. | Breather Cap |
| 11. | Lock Washer | 26. | Bearing Block |
| 12. | Flange Bolt | 27. | Thrust Bearing |
| 13. | Water Pipe | 28. | O-ring |
| 14. | Bearing Block Bolt | 29. | Bearing Lock Washer |
| 15. | Flat Gasket | 30. | Bearing Lock Nut |



1265000346 Rev-

- | | | | |
|-----|---------------------|-----|-------------------|
| 31. | Rear Bearing Cap | 46. | Front Bearing Cap |
| 32. | Labyrinth Seal | 47. | Radial Bearing |
| 33. | Cover Nut | 48. | Pump Shaft |
| 34. | Flat Washer | 49. | Sight Glass |
| 35. | Cover Gasket | 50. | Drain Plug Nipple |
| 36. | Housing Stud | 51. | Drain Plug Cap |
| 37. | O-ring | 52. | Coupling Key |
| 38. | Housing | 53. | Coupling Flange |
| 39. | Gapping Spacer | 54. | Guard Screw |
| 40. | Seal Spring | 55. | Coupling Guard |
| 41. | Housing Pin | | |
| 42. | Flange Adapter | | |
| 43. | Seal Retaining Ring | | |
| 44. | Seal Housing Bolt | | |
| 45. | Bearing Cap Bolt | | |

FPHP 722

Item No.	Description	Part No.	Qty.
1	FPHP 722 cover w/2" fitting	1424620673	1
2	Impeller nut	1954000000	1
3	Impeller key	1315000002	1
4	Impeller	1424630051	1
5	Impeller nut gasket (viton)	1181000089	2
6	Seal driver	1811000010	1
7	O-ring (viton)	1181000036	1
8	Rotating seal ring (tungsten carbide)	1810600030	1
9	Stationary seal ring (tungsten carbide)	1815600080	1
10	O-ring (viton)	1180000344	1
11	Lock washer	1104000036	8
12	Flange bolt	1101000105	4
13	Water pipes	1910000000	2
14	Bearing block bolt	1101000106	4
15	Flat gasket	1181000069	1
16	Stationary water seal	1815600177	1
17	Rotating water seal ring	1810600015	1
18	O-ring (viton)	1180000056	1
19	Water seal drive ring	1811000016	1
20	Seal spring	1820000026	1
21	Seal driver	1811000024	1
22	Set screw	1101000018	2
23	Snap ring	1148000012	1
24	Oil breather	1248000007	1
25	Breather cap	1248000009	1
26	Bearing block	1310600037	1
27	Thrust bearing	1173000003	2

Item No.	Description	Part No.	Qty.
28	O-ring (viton)	1180000122	2
29	Bearing lock washer	1104000023	1
30	Bearing lock nut	1306000008	1
31	Rear bearing cap	1303000007	1
32	Labyrinth seal	1812000024	2
33	Cover nut	1103000022	8
34	Flat washer	1104000005	8
35	Cover gasket (viton)	1180000335	1
36	Housing stud	1103000017	8
37	O-ring (viton)	1180000119	1
38	FPHP 722 housing w/1.5" fitting	1424610001	1
39	Gapping spacer	1224000051	1
40	Seal spring	1820000044	1
41	Housing pin	1891000008	1
42	Flange adapter	1310600055	1
43	Seal retaining ring	1148000021	1
44	Seal housing bolt	1101000086	4
45	Bearing cap bolt	1101000021	8
46	Front bearing cap	1303000006	1
47	Radial bearing	1173000010	1
48	Pump shaft	1321000180	1
49	Sight glass	1248000018	2
50	Drain plug nipple	1226100001	1
51	Drain plug cap	1226100002	1
52	Coupling Key	1315000044	1

* = impellers are available in a variety of sizes. Please check with Fristam Pumps