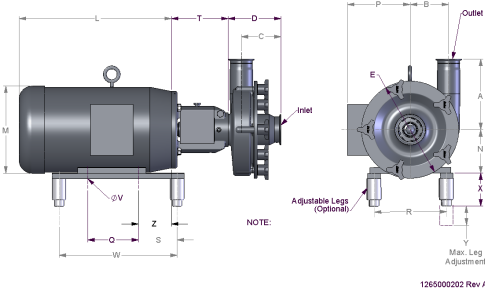


FPR Dimensional Drawings

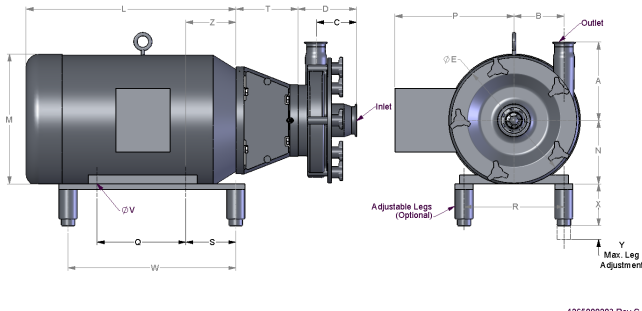
FPR Single Flange Dimensional Drawing



PUMP MODEL	INLET	OUTLET	A	B	C	D	E
FPR 701/702	1.5"	1.5"	108 4.25"	44.5 1.75"	106.5 4.19"	139.5 5.49"	150 5.91"
FPR 711/712	2"	1.5"	144 5.67"	58 2.28"	113 4.45"	145 5.71"	185 7.28"
FPR 721/731/722	2"	1.5"	170 6.69"	79 3.11"	113 4.45"	145 5.71"	230 9.06"
FPR 741/742	2.5"	2"	195 7.68"	96 3.78"	101 3.98"	136 5.35"	270 10.63"
FPR 1741/1742	2.5"	2"	200 7.87"	91 3.58"	104 4.09"	145.5 5.73"	270 10.63"
FPR 3521/3522	2.5"	2"	190 7.48"	80 3.15"	118 4.65"	157.5 6.2"	230 9.06"
FPR 3531/3532	2.5"	2"	191 7.52"	95 3.74"	115.5 4.55"	157.5 6.2"	260 10.24"
FPR 3541/3542	3"	2.5"	211 8.31"	115 4.53"	118 4.65"	157.5 6.2"	290 11.42"

MOTOR HP		MOTOR FRAME	L	M	N	P	Q	R	S	T	V	W	X	Y	Z
1750 RPM	3500 RPM														
1 HP	1.5 HP	143TC	284 11.18"	175 6.89"	89 3.5"	133 5.25"	101.6 4"	140 5.5"	127 5"	120 4.72"	8.7 0.34"	356 14"	98 3.86"	38 1.5"	57.2 2.25"
1.5 HP		145TC	284 11.18"	175 6.89"	89 3.5"	133 5.25"	127 5"	140 5.5"	127 5"	120 4.72"	8.7 0.34"	356 14"	98 3.86"	38 1.5"	57.2 2.25"
2 HP	2 HP	145TC	284 11.18"	175 6.89"	89 3.5"	133 5.25"	127 5"	140 5.5"	127 5"	120 4.72"	8.7 0.34"	356 14"	98 3.86"	38 1.5"	57.2 2.25"
	3 HP	182TC	340 13.39"	221 8.7"	114 4.5"	149 5.87"	114 4.5"	191 7.5"	108 4.25"	169 6.65"	10.3 0.41"	356 14"	98 3.86"	38 1.5"	69.9 2.75"
	5 HP	184TC	354 13.94"	221 8.7"	114 4.5"	149 5.87"	114 4.5"	191 7.5"	108 4.25"	169 6.65"	10.3 0.41"	356 14"	98 3.86"	38 1.5"	69.9 2.75"
	5 HP	184TC	354 13.94"	221 8.7"	114 4.5"	149 5.87"	114 4.5"	191 7.5"	108 4.25"	169 6.65"	10.3 0.41"	356 14"	98 3.86"	38 1.5"	69.9 2.75"
	7.5 HP	184TC	423 16.65"	221 8.7"	114 4.5"	149 5.87"	140 5.5"	191 7.5"	108 4.25"	169 6.65"	10.3 0.41"	356 14"	98 3.86"	38 1.5"	69.9 2.75"
	7.5 HP	213TC	403 15.87"	260 10.25"	133 5.25"	187 7.38"	178 7"	216 8.5"	108 4.25"	169 6.65"	10.3 0.41"	356 14"	98 3.86"	38 1.5"	88.9 3.5"
	10 HP	215TC	403 15.87"	260 10.25"	133 5.25"	187 7.38"	178 7"	216 8.5"	108 4.25"	169 6.65"	10.3 0.41"	356 14"	98 3.86"	38 1.5"	88.9 3.5"
	10 HP	215TC	416 16.38"	260 10.25"	133 5.25"	187 7.38"	178 7"	216 8.5"	108 4.25"	169 6.65"	10.3 0.41"	356 14"	98 3.86"	38 1.5"	88.9 3.5"
	15 HP	215TC	515 20.28"	260 10.25"	133 5.25"	187 7.38"	178 7"	216 8.5"	108 4.25"	169 6.65"	10.3 0.41"	356 14"	98 3.86"	38 1.5"	88.9 3.5"
	15 HP	254TC	499 19.65"	327 12.87"	159 6.25"	244 9.63"	254 10"	254 10"	102 4"	169 6.65"	13.5 0.53"	406 17.5"	98 4.63"	38 1.75"	108.0 4.75"
	20 HP	256TC	499 19.65"	327 12.87"	159 6.25"	244 9.63"	254 10"	254 10"	102 4"	169 6.65"	13.5 0.53"	406 17.5"	98 4.63"	38 1.75"	108.0 4.75"
	20 HP	256TC	499 19.65"	327 12.87"	159 6.25"	244 9.63"	254 10"	254 10"	102 4"	169 6.65"	13.5 0.53"	406 17.5"	98 4.63"	38 1.75"	108.0 4.75"
	25 HP	284TSC	588 23.15"	371 14.63"	178 7"	333 13.13"	241 9.5"	279 11"	121 4.75"	179 7.05"	13.5 0.53"	445 17.5"	118 4.63"	45 1.75"	120.7 4.75"
	30 HP	286TC	588 23.15"	371 14.63"	178 7"	333 13.13"	241 9.5"	279 11"	121 4.75"	179 7.05"	13.5 0.53"	445 17.5"	118 4.63"	45 1.75"	120.7 4.75"
	30 HP	286TC	588 23.15"	371 14.63"	178 7"	333 13.13"	241 9.5"	279 11"	121 4.75"	179 7.05"	13.5 0.53"	445 17.5"	118 4.63"	45 1.75"	120.7 4.75"
	40 HP	324TSC	636 25.04"	419 16.5"	203 8"	359 14.13"	267 10.5"	318 12.5"	121 4.75"	179 7.05"	16.7 0.66"	470 18.5"	118 4.63"	45 1.75"	133.4 5.25"
	40 HP	324TC	636 25.04"	419 16.5"	203 8"	359 14.13"	267 10.5"	318 12.5"	121 4.75"	179 7.05"	16.7 0.66"	470 18.5"	118 4.63"	45 1.75"	133.4 5.25"
	50 HP	326TSC	636 25.04"	419 16.5"	203 8"	359 14.13"	305 12"	318 12.5"	121 4.75"	179 7.05"	16.7 0.66"	470 18.5"	118 4.63"	45 1.75"	133.4 5.25"
	50 HP	326TC	636 25.04"	419 16.5"	203 8"	359 14.13"	305 12"	318 12.5"	121 4.75"	179 7.05"	16.7 0.66"	470 18.5"	118 4.63"	45 1.75"	133.4 5.25"

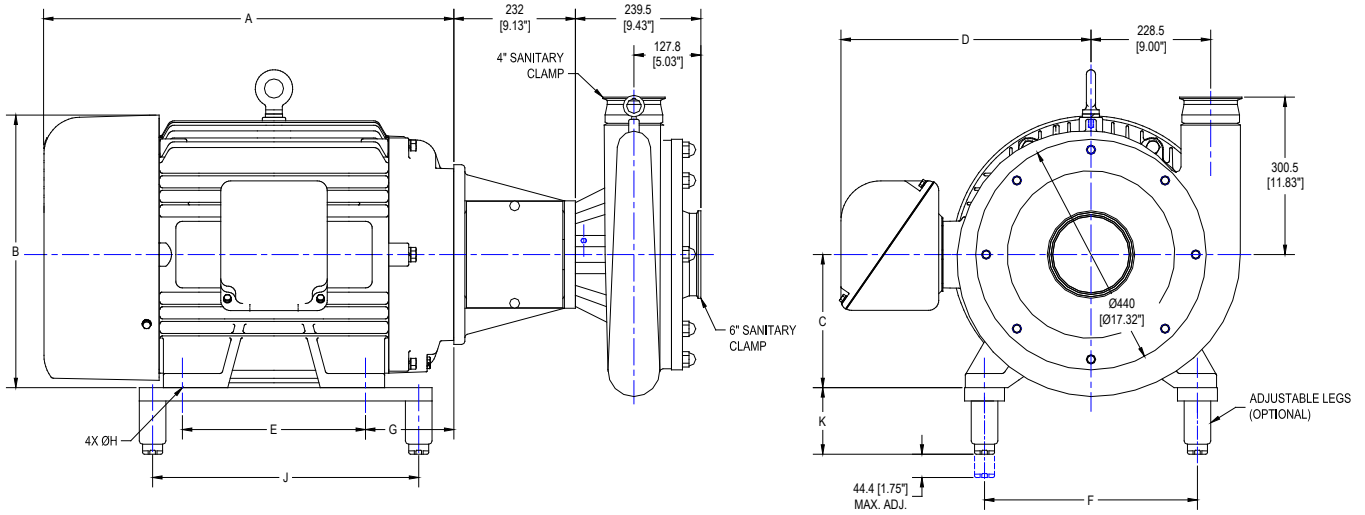
FPR Double Flange Dimensional Drawing



PUMP MODEL	INLET	OUTLET	A	B	C	D	E
FPR 751/752	3"	2"	205 8.07"	145 5.71"	99 3.9"	142 5.59"	379 14.92"
FPR 3451/3452	3"	2"	211 8.31"	140 5.51"	114 4.49"	160.5 6.32"	350 13.78"
FPR 3551/3552	3"	2.5"	230 9.06"	140 5.51"	119 4.69"	170 6.69"	350 13.78"
FPR 1051	4"	4"	250 9.84"	170 6.69"	167 6.57"	202.5 7.97"	406 15.98"
FPR 1161	4"	4"	250 9.84"	170 6.69"	166 6.57"	202.5 7.97"	406 15.98"

MOTOR HP		MOTOR FRAME	L	M	N	P	Q	R	S	T	V	W	X	Y	Z
1750 RPM	3500 RPM														
3 HP	3 HP	182TC	313 12.32"	221 8.72"	114 4.5"	149 5.87"	114 4.5"	191 7.5"	108 4.25"	160 6.3"	10.3 0.41"	356 14"	98 3.86"	38 1.5"	69.9 2.75"
3 HP		182TC	348 13.7"	221 8.7"	114 4.5"	149 5.87"	114 4.5"	191 7.5"	108 4.25"	160 6.3"	10.3 0.41"	356 14"	98 3.86"	38 1.5"	69.9 2.75"
	5 HP	184TC	347 13.66"	221 8.7"	114 4.5"	149 5.87"	140 5.5"	191 7.5"	108 4.25"	160 6.3"	10.3 0.41"	356 14"	98 3.86"	38 1.5"	69.9 2.75"
	5 HP	184TC	386 15.2"	221 8.7"	114 4.5"	149 5.87"	140 5.5"	191 7.5"	108 4.25"	160 6.3"	10.3 0.41"	356 14"	98 3.86"	38 1.5"	69.9 2.75"
	5 HP	184TC	386 15.2"	221 8.7"	114 4.5"	149 5.87"	140 5.5"	191 7.5"	108 4.25"	160 6.3"	10.3 0.41"	356 14"	98 3.86"	38 1.5"	69.9 2.75"
	7.5 HP	213TC	388 15.28"	260 10.25"	133 5.25"	187 7.38"	178 7"	216 8.5"	108 4.25"	169 6.65"	10.3 0.41"	356 14"	98 3.86"	38 1.5"	88.9 3.5"
	10 HP	215TC	388 15.28"	260 10.25"	133 5.25"	187 7.38"	178 7"	216 8.5"	108 4.25"	169 6.65"	10.3 0.41"	356 14"	98 3.86"	38 1.5"	88.9 3.5"
	10 HP	215TC	436 17.17"	260 10.25"	133 5.25"	187 7.38"	178 7"	216 8.5"	108 4.25"	169 6.65"	10.3 0.41"	356 14"	98 3.86"	38 1.5"	88.9 3.5"
	15 HP	254TC	447 17.6"	327 12.87"	159 6.25"	244 9.63"	241 9.5"	254 10"	102 4"	169 6.65"	13.5 0.53"	406 17.5"	98 4.63"	38 1.75"	108.0 4.75"
	20 HP	256TC	491 19.33"	327 12.87"	159 6.25"	244 9.63"	241 9.5"	254 10"	102 4"	169 6.65"	13.5 0.53"	406 17.5"	98 4.63"	38 1.75"	108.0 4.75"
	20 HP	256TC	499 19.65"	327 12.87"	159 6.25"	244 9.63"	241 9.5"	254 10"	102 4"	169 6.65"	13.5 0.53"	406 17.5"	98 4.63"	38 1.75"	108.0 4.75"
	25 HP	284TC	588 23.15"	371 14.63"	178 7"	333 13.13"	241 9.5"	279 11"	121 4.75"	179 7.05"	13.5 0.53"	445 17.5"	118 4.63"	45 1.75"	120.7 4.75"
	25 HP	284TSC	588 23.15"	371 14.63"	178 7"	333 13.13"	241 9.5"	279 11"	121 4.75"	179 7.05"	13.5 0.53"	445 17.5"	118 4.63"	45 1.75"	120.7 4.75"
	30 HP	286TC	588 23.15"	371 14.63"	178 7"	333 13.13"	241 9.5"	279 11"	121 4.75"	179 7.05"	13.5 0.53"	445 17.5"	118 4.63"	45 1.75"	120.7 4.75"
	30 HP	286TSC	588 23.15"	371 14.63"	178 7"	333 13.13"	241 9.5"	279 11"	121 4.75"	179 7.05"	13.5 0.53"	445 17.5"	118 4.63"	45 1.75"	120.7 4.75"
	40 HP	324TC	636 25.04"	419 16.5"	203 8"	359 14.13"	267 10.5"	318 12.5"	121 4.75"	179 7.05"	16.7 0.66"	470 18.5"	118 4.63"	45 1.75"	133.4 5.25"
	40 HP	324TSC	636 25.04"	419 16.5"	203 8"	359 14.13"	267 10.5"	318 12.5"	121 4.75"	179 7.05"	16.7 0.66"	470 18.5"	118 4.63"	45 1.75"	133.4 5.25"
	50 HP	326TC	636 25.04"	419 16.5"	203 8"	359 14.13"	305 12"	318 12.5"	121 4.75"	179 7.05"	16.7 0.66"	470 18.5"	118 4.63"	45 1.75"	133.4 5.25"
	50 HP	326TSC	636 25.04"	419 16.5"	203 8"	359 14.13"	305 12"	318 12.5"	121 4.75"	179 7.05"	16.7 0.66"	470 18.5"	118 4.63"	45 1.75"	133.4 5.25"
	60 HP	364TC	685 26.97"	470 18.5"	229 9"	383 15.06"	286 11.25"	356 14"	121 4.75"	179 7.05"	16.7 0.66"	508 20"	127 5"	149 5.87"	
	60 HP	364TSC	685 26.97"	470 18.5"	229 9"	383 15.06"	286 11.25"	356 14"	121 4.75"	179 7.05"	16.7 0.66"	508 20"	127 5"	149 5.87"	
	75 HP	365TC	685 26.97"	470 18.5"	229 9"	383 15.06"	311 12.25"	356 14"	121 4.75"	179 7.05"	16.7 0.66"	508 20"	127 5"	149 5.87"	
	75 HP	365TSC	685 26.97"	470 18.5"	229 9"	383 15.06"	311 12.25"	356 14"	121 4.75"	179 7.05"	16.7 0.66"	508 20"	127 5"	149 5.87"	

FPR Double Flange Dimensional Drawing – Model 4001



1265000053
8/19/02

MOTOR HP	MOTOR FRAME	DIMENSIONS IN MILLIMETERS (INCHES)									
		A	B	C	D	E	F	G	ØH	J	K
40 HP	324TC	636 (25.05")	418 (16.44")	203 (8.00")	371 (14.62")	267 (10.50")	317 (12.50")	133 (5.25")	16.7 (21/32")	470 (18.50")	117 (4.63")
50 HP	326TC	636 (25.05")	418 (16.44")	203 (8.00")	371 (14.62")	305 (12.00")	317 (12.50")	133 (5.25")	16.7 (21/32")	470 (18.50")	117 (4.63")
60 HP	364TC	684 (26.94")	470 (18.50")	229 (9.00")	380 (14.95")	286 (11.25")	355 (14.00")	149 (5.88")	16.7 (21/32")	508 (20.00")	127 (5.00")
75 HP	365TC	684 (26.94")	470 (18.50")	229 (9.00")	380 (14.95")	311 (12.25")	355 (14.00")	149 (5.88")	16.7 (21/32")	508 (20.00")	127 (5.00")
100 HP	405TC	782 (30.80")	520 (20.48")	254 (10.00")	477 (18.78")	349 (13.75")	406 (16.00")	168 (6.62")	20.6 (13/16")	508 (20.00")	127 (5.00")

1265000054
8/19/02