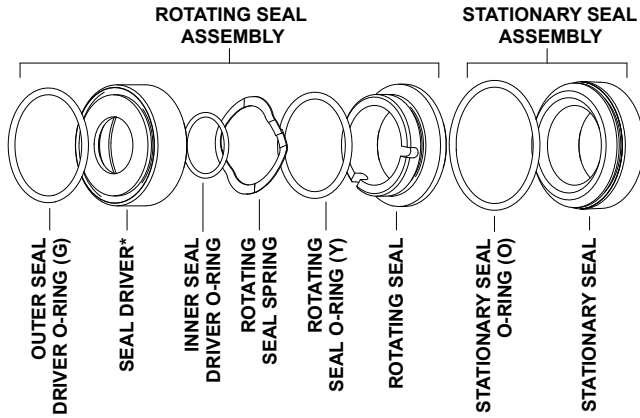


FPR Single Seal Assembly
Sizes: 757, 758

800-841-5001 www.fristam.com/usa

When replacing ANY seal part, it is important to replace ALL seal wear parts.



* NOT SUPPLIED IN WEAR PARTS KIT

DWG # 1265000541 REV -

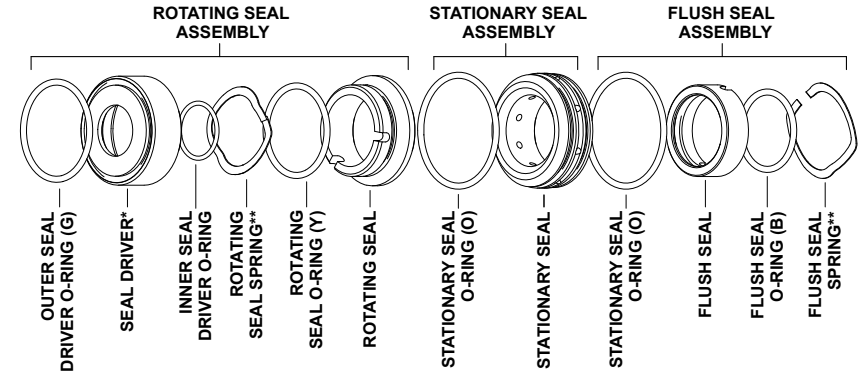
MANY SEAL KITS CONTAIN O-RINGS WITH COLORED DOTS TO INDICATE POSITION: (G)=GREEN; (Y)=YELLOW; (O)=ORANGE; (B)=BLUE

CARD DWG # 1265000403 REV B
CARD PART # 1050000218

FPR Double Seal Assembly
Sizes: 757, 758

800-841-5001 www.fristam.com/usa

When replacing ANY seal part, it is important to replace ALL seal wear parts.



*NOT SUPPLIED IN WEAR PARTS KIT

**FLUSH SEAL SPRING HAS A WHITE STRIPE ON THE OUTSIDE EDGE; ROTATING SEAL SPRING DOES NOT

DWG # 1265000546 REV A

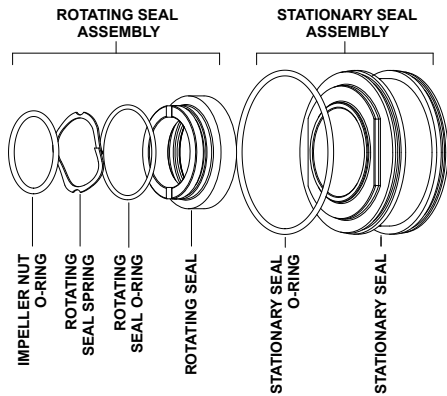
MANY SEAL KITS CONTAIN O-RINGS WITH COLORED DOTS TO INDICATE POSITION: (G)=GREEN; (Y)=YELLOW; (O)=ORANGE; (B)=BLUE

CARD DWG # 1265000402 REV A
CARD PART # 1050000217

FPR Single Seal Assembly
Size: 102

800-841-5001 www.fristam.com/usa

When replacing ANY seal part, it is important to replace ALL seal wear parts.



DWG # 1265000549 REV B

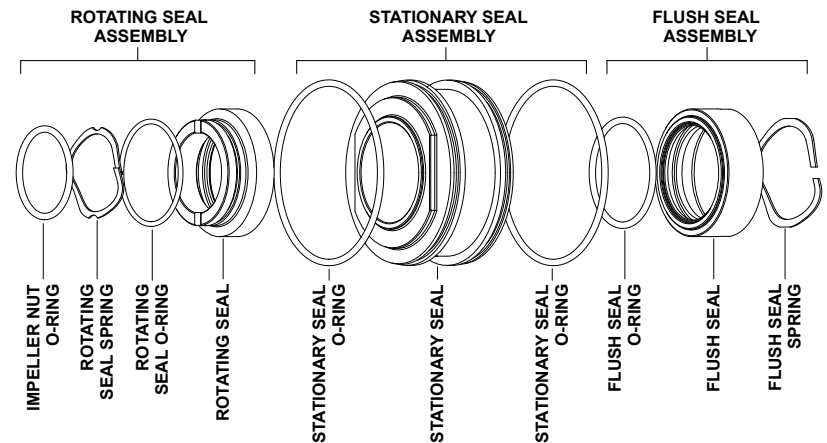
MANY SEAL KITS CONTAIN O-RINGS WITH COLORED DOTS TO INDICATE POSITION: (G)=GREEN; (Y)=YELLOW; (O)=ORANGE; (B)=BLUE

CARD DWG # 1265000405 REV B
CARD PART # 1050000220

FPR Double Seal Assembly
Size: 102

800-841-5001 www.fristam.com/usa

When replacing ANY seal part, it is important to replace ALL seal wear parts.



DWG # 1265000548 REV A

MANY SEAL KITS CONTAIN O-RINGS WITH COLORED DOTS TO INDICATE POSITION: (G)=GREEN; (Y)=YELLOW; (O)=ORANGE; (B)=BLUE

CARD DWG # 1265000404 REV A
CARD PART # 1050000219