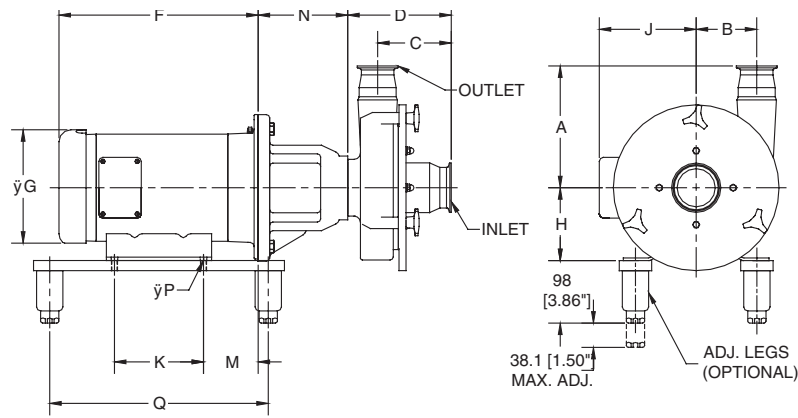


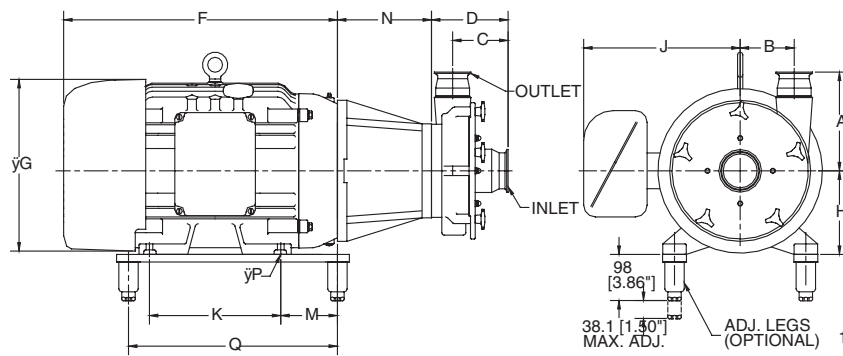
# FS Dimensional Drawing (FPX-style, pre-2006)

## FS Shear Blender Dimensional Drawing (Frame size 143-256TC)



1265000137  
10/14/03

## FS Shear Blender Dimensional Drawing (Frame size 284-326TSC)



1265000138  
10/14/03

PUMP MODEL	INLET	OUTLET	DIMENSIONS IN MILLIMETERS (INCHES)				
			A	B	C	D	yE
FS 3521 / 3522	2.5"	2"	190 (7.48")	80 (3.15")	118 (4.64")	162 (6.38")	230 (9.06")
FS 3531 / 3532	2.5"	2"	191 (7.52")	95 (3.74")	115.5 (4.55")	162 (6.38")	260 (10.24")
FS 3541 / 3542	3"	2.5"	211 (8.31")	115 (4.53")	118 (4.64")	162 (6.38")	290 (11.42")
FS 3551 / 3552	3"	2.5"	231 (9.09")	140 (5.51")	119 (4.68")	168 (6.61")	350 (13.78")

MOTOR HP	MOTOR RPM	MOTOR FRAME	DIMENSIONS IN MILLIMETERS (INCHES)									
			F	yG	H	J	K	L	M	N	yP	Q
1 HP	1750 RPM	143TC	281 (11.06")	183 (7.19")	89 (3.50")	133 (5.22")	102 (4.00")	140 (5.50")	70 (2.75")	134 (5.28")	8.7 (11/32")	343 (13.50")
1.5 HP	3500 RPM	145TC	281 (11.06")	183 (7.19")	89 (3.50")	133 (5.22")	102 (4.00")	140 (5.50")	70 (2.75")	134 (5.28")	8.7 (11/32")	343 (13.50")
2 HP	2 HP	145TC	281 (11.06")	183 (7.19")	89 (3.50")	133 (5.22")	102 (4.00")	140 (5.50")	70 (2.75")	134 (5.28")	8.7 (11/32")	343 (13.50")
	3 HP	182TC	313 (12.31")	183 (7.19")	114 (4.50")	132 (5.21")	140 (5.50")	191 (7.50")	89 (3.50")	169 (6.65")	10.3 (13/32")	343 (13.50")
	3 HP	182TC	348 (13.69")	183 (7.19")	114 (4.50")	132 (5.21")	140 (5.50")	191 (7.50")	89 (3.50")	169 (6.65")	10.3 (13/32")	343 (13.50")
	5 HP	184TC	347 (13.68")	216 (8.50")	114 (4.50")	152 (5.97")	140 (5.50")	191 (7.50")	89 (3.50")	169 (6.65")	10.3 (13/32")	343 (13.50")
5 HP		184TC	386 (15.18")	216 (8.50")	114 (4.50")	152 (5.97")	140 (5.50")	191 (7.50")	89 (3.50")	169 (6.65")	10.3 (13/32")	343 (13.50")
	7.5 HP	184TC	386 (15.18")	216 (8.50")	114 (4.50")	152 (5.97")	140 (5.50")	191 (7.50")	89 (3.50")	169 (6.65")	10.3 (13/32")	343 (13.50")
7.5 HP		213TC	388 (15.27")	263 (10.34")	133 (5.25")	189 (7.46")	140 (5.50")	216 (8.50")	108 (4.25")	169 (6.65")	10.3 (13/32")	343 (13.50")
10 HP	10 HP	215TC	388 (15.27")	263 (10.34")	133 (5.25")	189 (7.46")	140 (5.50")	216 (8.50")	108 (4.25")	169 (6.65")	10.3 (13/32")	343 (13.50")
	15 HP	215TC	436 (17.15")	263 (10.34")	133 (5.25")	189 (7.46")	140 (5.50")	216 (8.50")	108 (4.25")	169 (6.65")	10.3 (13/32")	343 (13.50")
15 HP		254TC	447 (17.59")	263 (10.34")	159 (6.25")	225 (8.88")	210 (8.25")	254 (10.00")	121 (4.75")	169 (6.65")	13.5 (17/32")	394 (15.50")
	20 HP	256TC	491 (19.34")	263 (10.34")	159 (6.25")	225 (8.88")	254 (10.00")	254 (10.00")	121 (4.75")	169 (6.65")	13.5 (17/32")	394 (15.50")
20 HP		256TC	499 (19.66")	336 (13.25")	159 (6.25")	239 (9.42")	254 (10.00")	254 (10.00")	121 (4.75")	169 (6.65")	13.5 (17/32")	394 (15.50")
25 HP		284TC	436 (17.15")	263 (10.34")	133 (5.25")	189 (7.46")	140 (5.50")	216 (8.50")	108 (4.25")	200 (7.87")	10.3 (13/32")	343 (13.50")
	25 HP	284TSC	447 (17.59")	263 (10.34")	159 (6.25")	225 (8.88")	210 (8.25")	254 (10.00")	121 (4.75")	200 (7.87")	13.5 (17/32")	343 (13.50")
30 HP		286TC	491 (19.34")	263 (10.34")	159 (6.25")	225 (8.88")	254 (10.00")	254 (10.00")	121 (4.75")	200 (7.87")	13.5 (17/32")	394 (15.50")
	30 HP	286TSC	499 (19.66")	336 (13.25")	159 (6.25")	239 (9.42")	254 (10.00")	254 (10.00")	121 (4.75")	200 (7.87")	13.5 (17/32")	394 (15.50")
40 HP		324TSC	491 (19.34")	263 (10.34")	159 (6.25")	225 (8.88")	254 (10.00")	254 (10.00")	121 (4.75")	216 (8.50")	13.5 (17/32")	394 (15.50")
50 HP		326TSC	499 (19.66")	336 (13.25")	159 (6.25")	239 (9.42")	254 (10.00")	254 (10.00")	121 (4.75")	216 (8.50")	13.5 (17/32")	394 (15.50")

### Notes for all motor frame sizes:

- 1) Motor dimensions may vary depending on manufacturer requested.
- 2) Blender dimensions are based on clamp fittings.
- 3) All dimensions are in millimeters (inches).