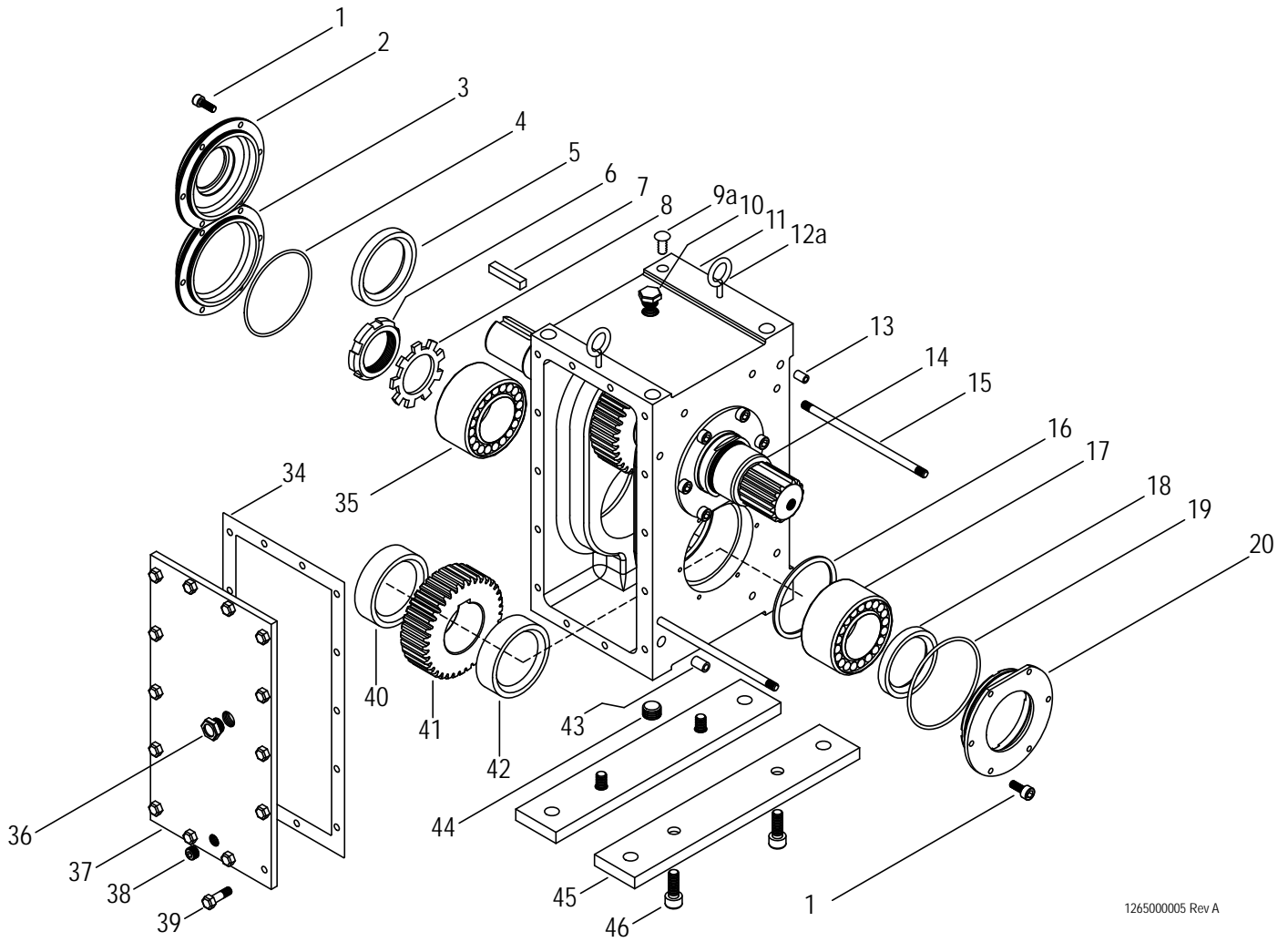
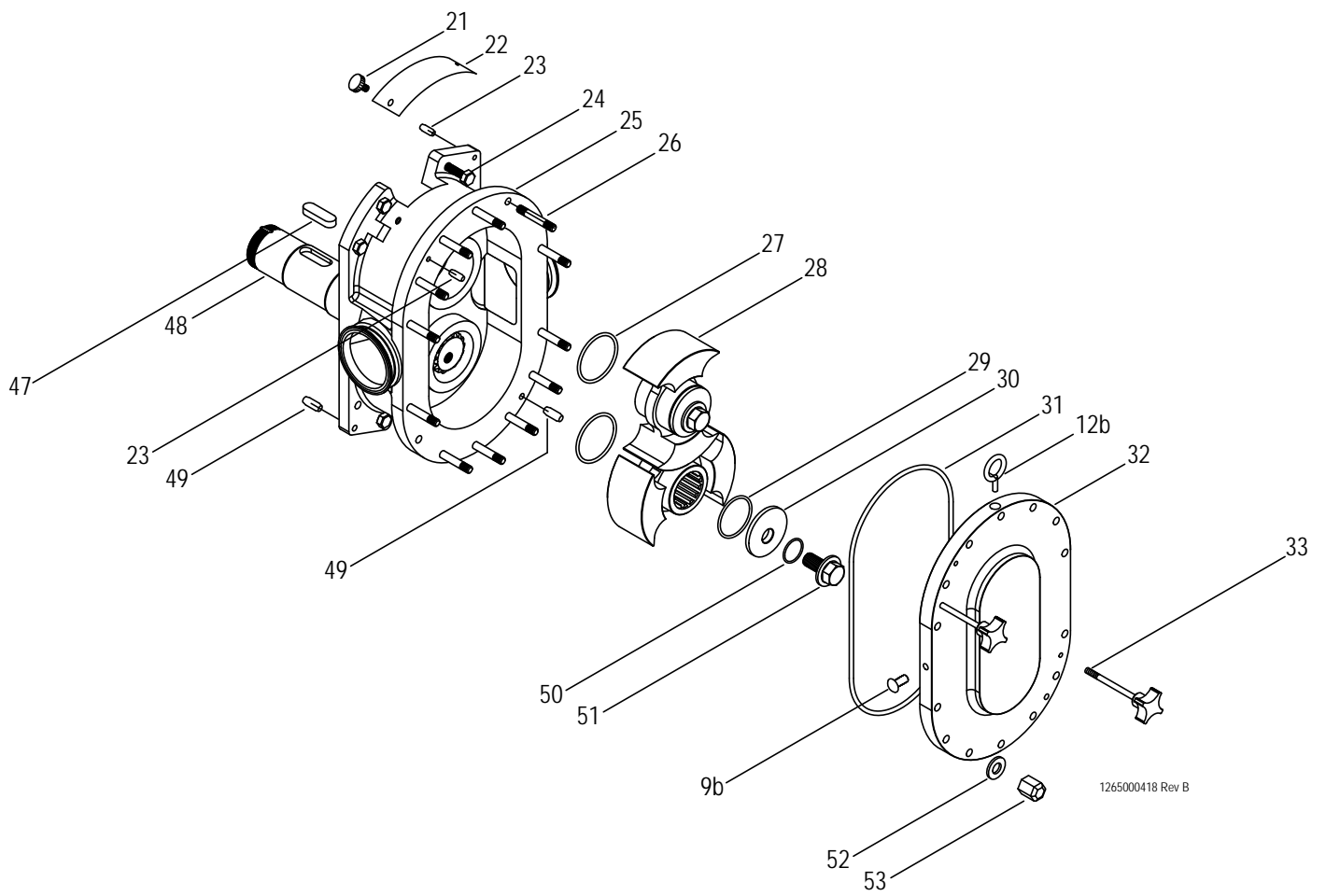


FKL (25, 75, 150, 205, 250 & 400) EXPLODED VIEW





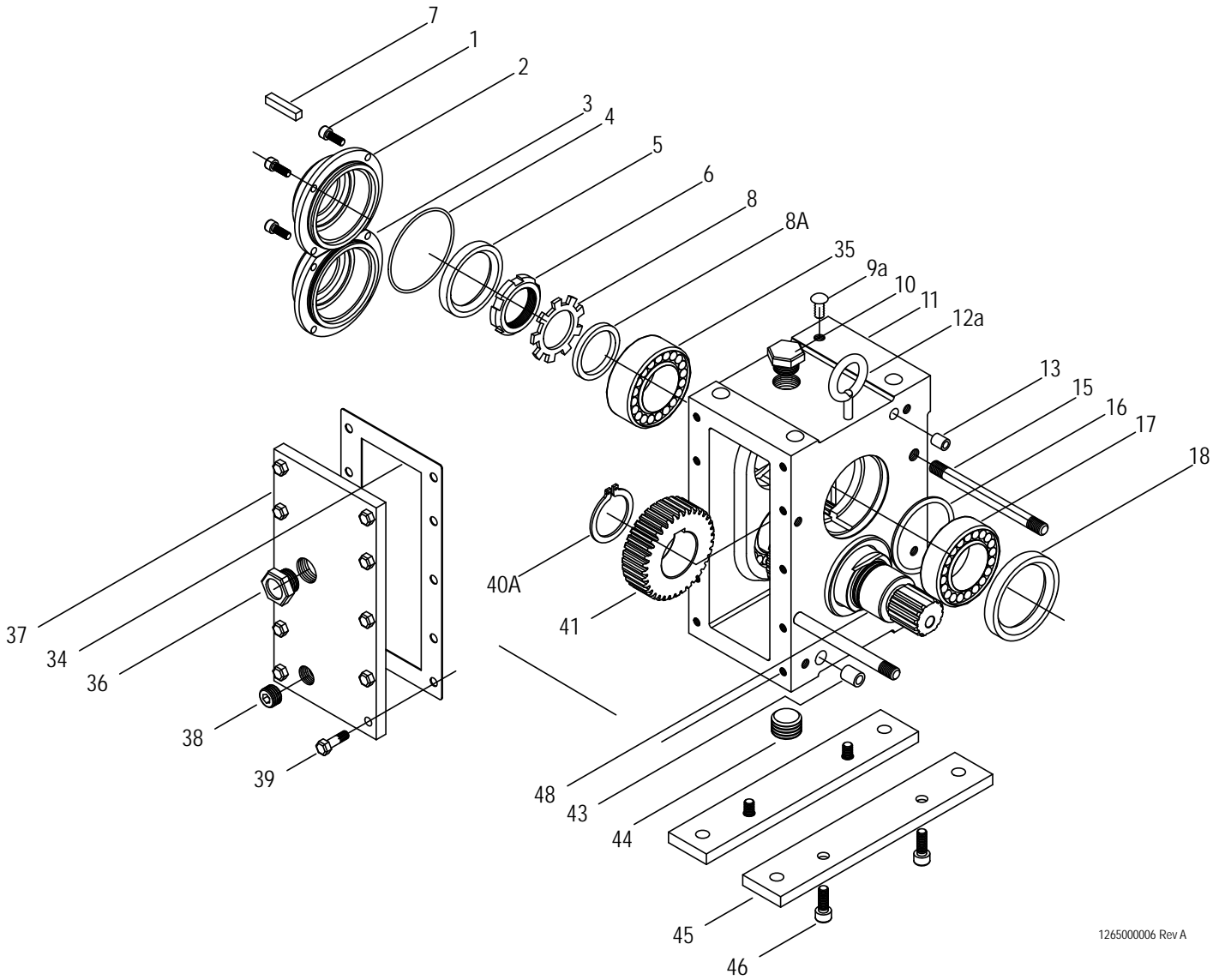
1265000418 Rev B

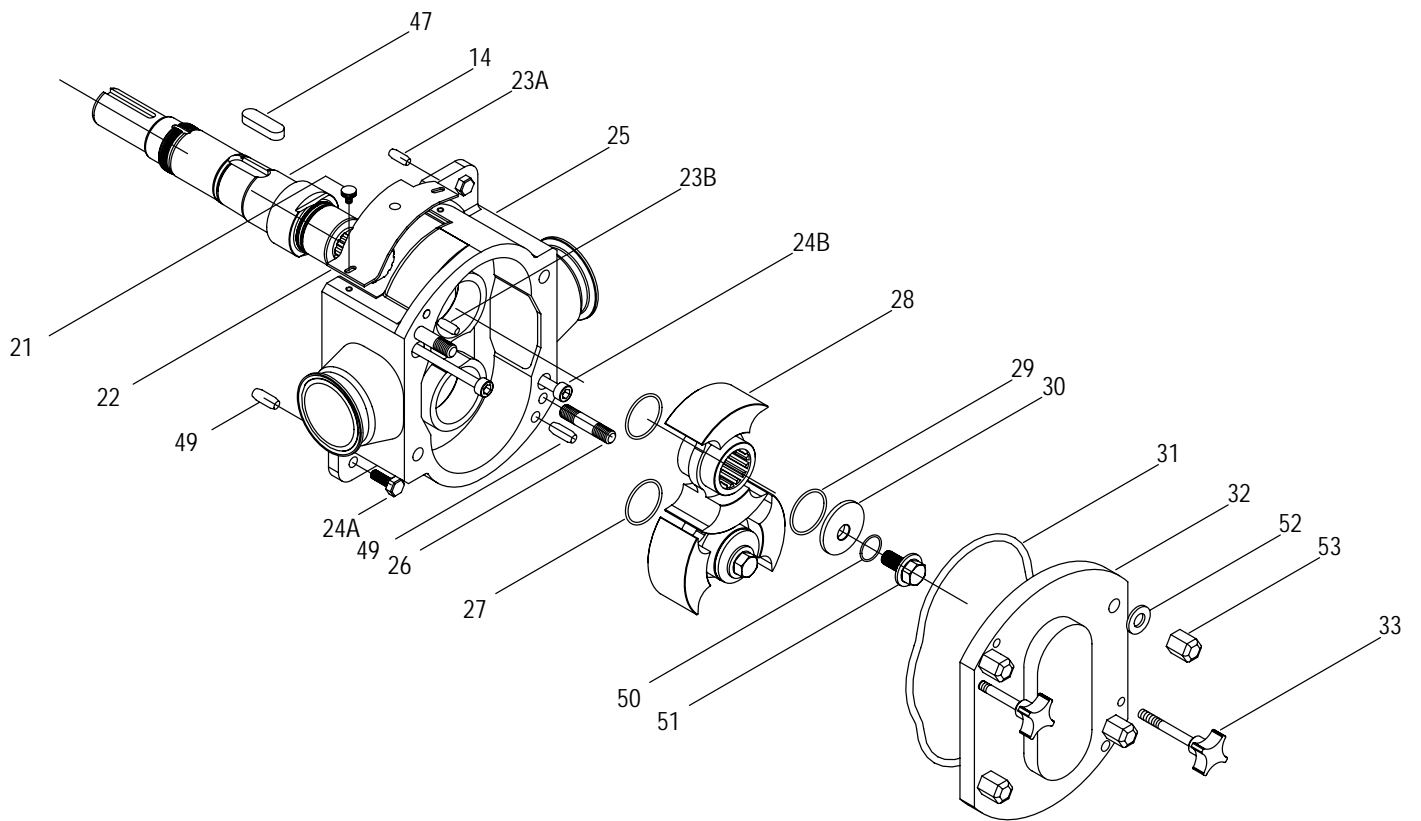
FKL (25, 75, 150, 205, 250 & 400) PART NUMBERS

| Item | Description | Qty | 25 | 75 | 150 | 205 | 250 | 400 |
|------|----------------------------------|-----|----------------|----------------|-----------------|-----------------|-----------------|-----------------|
| 1 | Bearing cover screw | 16* | 1101000048 | 1101000032 | 1101000032 (18) | 1101000260 (20) | 1101000225 (24) | 1101000036 (24) |
| 2 | Rear bearing cover (drive shaft) | 1 | 1304000010 | 1304000013 | 1304000002 | 1304000022 | 1304000005 | 1304000009 |
| 3 | Rear bearing cover (idle shaft) | 1 | 1304000011 | 1304000014 | 1304000003 | 1304000006 | 1304000006 | 1304000008 |
| 4 | Bearing cover o-ring (buna) | 2 | 1180000241 | 1180000232 | 1180000148 | 1180000748 | 1180000214 | 1180000246 |
| 5 | Rear lip seal | 1 | 1812000013 | 1812000016 | 1812000012 | 1812000044 | 1812000009 | 1812000011 |
| 6 | Bearing lock nut | 2 | 1306000006 | 1306000005 | 1306000005 | 1306000004 | 1306000004 | 1306000007 |
| 7 | Coupling key | 1 | 1315000013 | 1315000026 | 1315000026 | 1315000042 | 1315000025 | 1315000028 |
| 8 | Bearing lock nut washer | 2 | 1104000019 | 1104000018 | 1104000018 | 1104000017 | 1104000017 | 1104000020 |
| 9a | Gearbox hole plug | 8 | 1101000251 | 1101000253 | 1101000253 | 1101000253 | 1101000253 | 1101000254 |
| 9b | Cover hole plug | 2 | — | — | 1101000252 | 1101000252 | 1101000252 | 1101000252 |
| 10 | Vent plug | 1 | 1248000013 | 1248000013 | 1248000013 | 1248000013 | 1248000013 | 1248000013 |
| 11 | Gearbox | 1 | 1310600045 | 1310600047 | 1310600048 | 1310600166 | 1310600049 | 1310600050 |
| 12a | Gearbox eyebolt | 2* | 1101000072 (1) | 1101000163 | 1101000163 | 1101000163 | 1101000163 | 1101000152 |
| 12b | Cover eyebolt | 1 | — | — | 1101000244 | 1101000244 | 1101000244 | 1101000244 |
| 13 | Small mounting pin bushing | 1 | 1224000002 | 1224000004 | 1224000004 | 1224000004 | 1224000004 | 1224000006 |
| 14 | Drive shaft | 1 | 1372600002 | 1372600010 | 1372600024 | 1372600034 | 1372600004 | 1372600006 |
| | Drive shaft (for o-ring seal) | | 1372600014 | 1372600016 | 1372600018 | TBD | 1372600020 | 1372600022 |
| 15 | Housing stud (long) | 2* | 1103000035 (6) | 1103000098 | 1103000092 | 1103000094 | 1103000096 | 1103000104 (4) |
| 16 | Gapping shim kit | 1 | 1080000054 | 1080000056 | 1080000056 | 1080000057 | 1080000057 | 1080000058 |
| 17 | Front bearing assembly | 2 | 1173000013 | 1173000014 | 1173000016 | 1173000018 | 1173000017 | 1173000019 |
| 18 | Front lip seal | 2 | 1812000014 | 1812000015 | 1812000011 | 1812000043 | 1812000008 | 1812000010 |
| 19 | Front bearing cover o-ring | 2 | 1180000241 | 1180000232 | 1180000148 | 1180000748 | 1180000214 | 1180000238 |
| 20 | Front bearing cover | 2 | 1304000012 | 1304000016 | 1304000001 | 1304000021 | 1304000004 | 1304000007 |
| 21 | Guard knob | 4 | 1102000000 | 1102000000 | 1102000000 | 1102000000 | 1102000000 | — |
| 22 | Housing guard | 2 | 1936000047 | 1936000034 | 1936000035 | 1936000150 | 1936000033 | — |
| 23a | Small mounting pin (housing) | 1 | 1891000067 | 1891000069 | 1891000071 | 1891000071 | 1891000071 | 1891000074 |
| 23b | Small mounting pin (cover) | 1 | 1891000067 | 1891000071 | 1891000071 | 1891000072 | 1891000072 | 1891000075 |
| 24 | Hex head housing bolt | 6* | 1101000040 (2) | 1101000046 | 1101000037 | 1101000037 | 1101000037 | 1101000037 (8) |
| 25 | Pump housing | 1 | 1656610000 | 1660610000 | 1668610000 | 1664610000 | 1670610000 | 1672610002 |
| 26 | Housing stud (short) | 6* | — | 1103000099 | 1103000091 | 1103000095 (12) | 1103000097 (12) | 1103000103 (12) |
| 27 | Rotor o-ring (viton) | 2 | 1180000243 | 1180000014 | 1180000115 | 1180000253 | 1180000212 | 1180000234 |
| 28 | Rotor (standard) | 2 | 1657630000 | 1661630000 | 1669630000 | 1665630000 | 1671630000 | 1673630000 |
| | Rotor (high-temperature) | | 1657630001 | 1661630001 | 1669630001 | TBD | 1671630001 | 1673630001 |
| 29 | Rotor bolt washer o-ring (viton) | 2 | 1180000243 | 1180000014 | 1180000115 | 1180000253 | 1180000212 | 1180000234 |
| 30 | Rotor bolt washer | 2 | 1104000027 | 1104000028 | 1080000042 | 1104000093 | 1080000043 | 1080000044 |
| 31 | Cover o-ring (buna - standard) | 1 | 1180000165 | 1180000593 | 1180000590 | 1180000817 | 1180000586 | 1180000757 |
| 32 | Pump cover | 1 | 1656620000 | 1660620000 | 1668620000 | 1664620000 | 1670620000 | 1672620000 |
| 33 | Forcing screw | 2 | 1018000012 | 1018000012 | 1018000012 | 1018000013 | 1018000013 | 1018000013 |
| 34 | Gearbox cover gasket | 1 | 1181000059 | 1181000060 | 1181000056 | 1181000175 | 1181000053 | 1181000058 |
| 35 | Rear bearing assembly | 2 | 1173000013 | 1173000015 | 1173000015 | 1173000018 | 1173000018 | 1173000017 |
| 36 | Oil sight glass | 1 | 1248000028 | 1248000028 | 1248000028 | 1248000028 | 1248000028 | 1248000028 |
| 37 | Gearbox cover | 1 | 1367000004 | 1367000005 | 1367000002 | 1367000006 | 1367000001 | 1367000003 |
| 38 | Oil drain plug (small) | 2 | 1248000012 | 1248000012 | 1248000012 | 1248000012 | 1248000012 | 1248000012 |
| 39 | Gearbox cover bolt | 8* | 1101000011 | 1101000133 | 1101000133 (12) | 1101000133 (14) | 1101000133 (14) | 1101000133 (14) |
| 40 | Gear spacer (rear) | 2 | 1224000021 | 1224000024 | 1224000018 | 1224000109 | 1224000016 | 1224000020 |
| 41 | Gear | 2 | 1365000003 | 1365000004 | 1365000000 | 1365000013 | 1365000001 | 1365000002 |
| 42 | Gear spacer (front) | 2 | 1224000021 | 1224000023 | 1224000017 | 1224000109 | 1224000016 | 1224000019 |
| 43 | Large mounting pin bushing | 1 | 1224000004 | 1224000006 | 1224000006 | 1224000006 | 1224000006 | 1224000008 |
| 44 | Oil drain plug (large) | 1 | 1248000011 | 1248000011 | 1248000011 | 1248000011 | 1248000011 | 1248000011 |
| 45 | Mounting strap | 2 | 1925000000 | 1925000002 | 1925000003 | 1925000004 | 1925000004 | 1925000005 |
| 46 | Mounting strap screw | 4 | 1101000029 | 1101000033 | 1101000033 | 1101000033 | 1101000033 | 1101000039 |
| 47 | Gear key | 2 | 1315000014 | 1315000029 | 1315000012 | 1315000043 | 1315000024 | 1315000027 |
| 48 | Idle shaft | 1 | 1372600003 | 1372600011 | 1372600025 | 1372600035 | 1372600005 | 1372600007 |
| | Idle shaft (for o-ring only) | | 1372600015 | 1372600017 | 1372600019 | TBD | 1372600021 | 1372600023 |
| 49a | Large mounting pin (housing) | 1 | 1891000069 | 1891000073 | 1891000074 | 1891000074 | 1891000074 | 1891000078 |
| 49b | Large mounting pin (cover) | 1 | 1891000069 | 1891000074 | 1891000074 | 1891000074 | 1891000074 | 1891000077 |
| 50 | Rotor bolt o-ring (viton) | 2 | 1180000085 | 1180000085 | 1180000095 | 1180000398 | 1180000398 | 1180000398 |
| 51 | Rotor bolt | 2 | 1102000001 | 1102000001 | 1102000002 | 1102000010 | 1102000010 | 1102000010 |
| 52 | Cover nut washer | 6* | 1104000000 | 1104000002 (8) | 1104000002 (8) | 1104000002 (20) | 1104000002 (20) | 1104000002 (24) |
| 53 | Cover nut | 6* | 1103000032 | 1103000018 (8) | 1103000018 (8) | 1103000018 (14) | 1103000018 (14) | 1103000018 (16) |

*Quantities may vary

FKL 50 EXPLODED VIEW





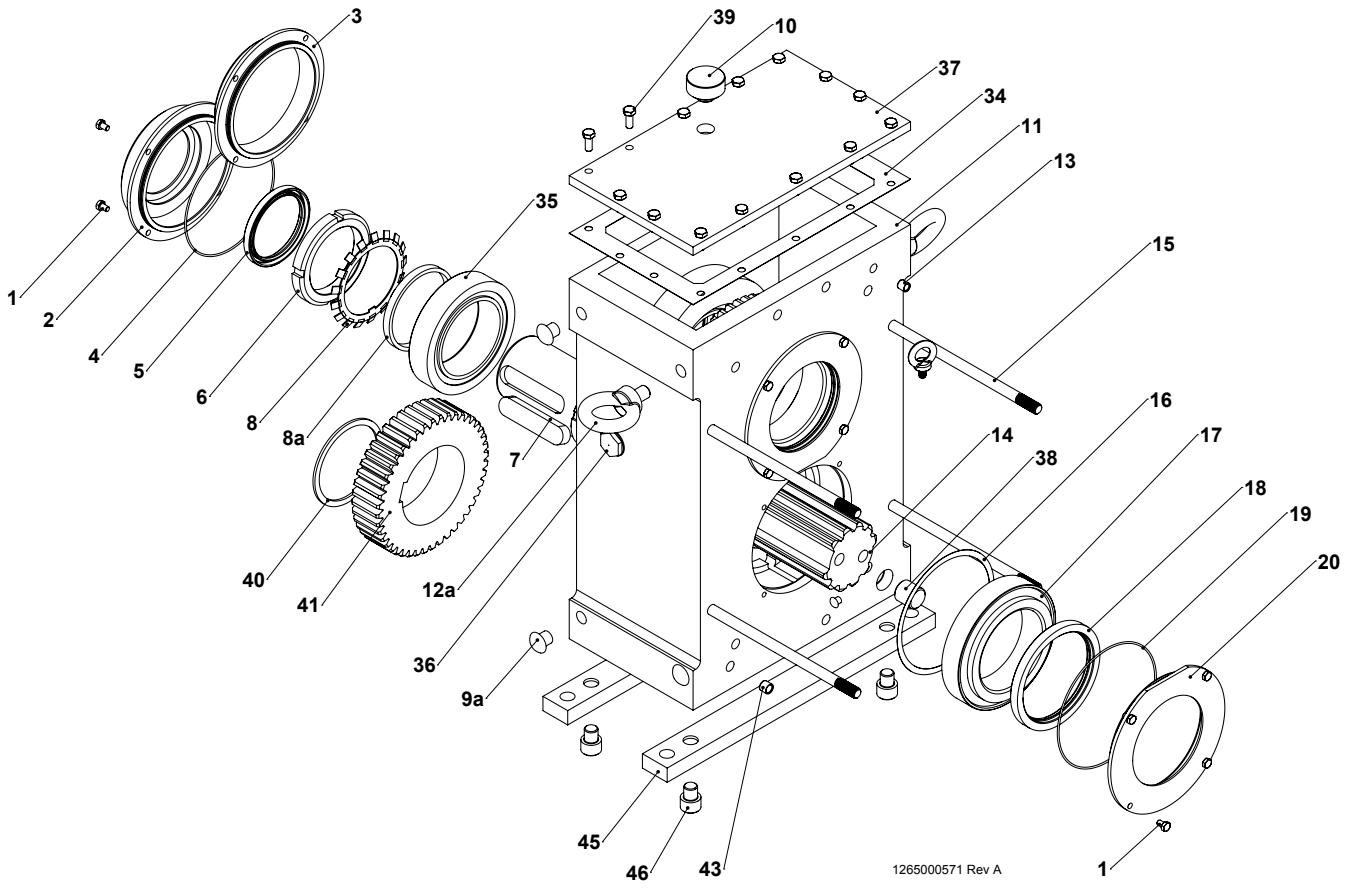
FKL 50 PART NUMBERS

| Item | Description | Qty | Part # |
|------|------------------------------------|-----|------------|
| 1 | Bearing cover screw | 8 | 1101000016 |
| 2 | Rear bearing cover (drive shaft) | 1 | 1304000000 |
| 3 | Rear bearing cover (idle shaft) | 1 | 1304000015 |
| 4 | Bearing cover o-ring (buna) | 2 | 1180000317 |
| 5 | Rear lip seal | 1 | 1812000006 |
| 6 | Bearing lock nut | 2 | 1306000002 |
| 7 | Coupling key | 1 | 1315000011 |
| 8 | Bearing lock nut washer | 2 | 1104000021 |
| 8a | Bearing spacer | 2 | 1224000022 |
| 9a | Gearbox hole plug | 8 | 1101000251 |
| 10 | Vent plug | 1 | 1248000013 |
| 11 | Gearbox | 1 | 1310600046 |
| 12a | Gearbox eyebolt | 1 | 1101000072 |
| 13 | Small mounting pin bushing | 1 | 1224000002 |
| 14 | Drive shaft | 1 | 1372600000 |
| | Drive shaft (for o-ring seal) | | 1372600012 |
| 15 | Housing stud (long) | 2 | 1103000023 |
| 16 | Gapping shim kit | 1 | 1080000055 |
| 17 | Front bearing assembly | 2 | 1173000007 |
| 18 | Front lip seal | 2 | 1812000017 |
| 21 | Guard knob | 4 | 1102000000 |
| 22 | Housing guard | 2 | 1936000027 |
| 23a | Small mounting pin (housing) | 1 | 1891000067 |
| 23b | Small mounting pin (cover) | 1 | 1891000068 |
| 24a | Hex head housing bolt | 2 | 1101000022 |
| 24b | Socket head housing screw | 2 | 1101000023 |
| 25 | Pump housing (2.5" clamp fittings) | 1 | 1658610000 |
| 26 | Housing stud (short) | 2 | 1103000101 |
| 27 | Rotor o-ring (viton) | 2 | 1180000120 |

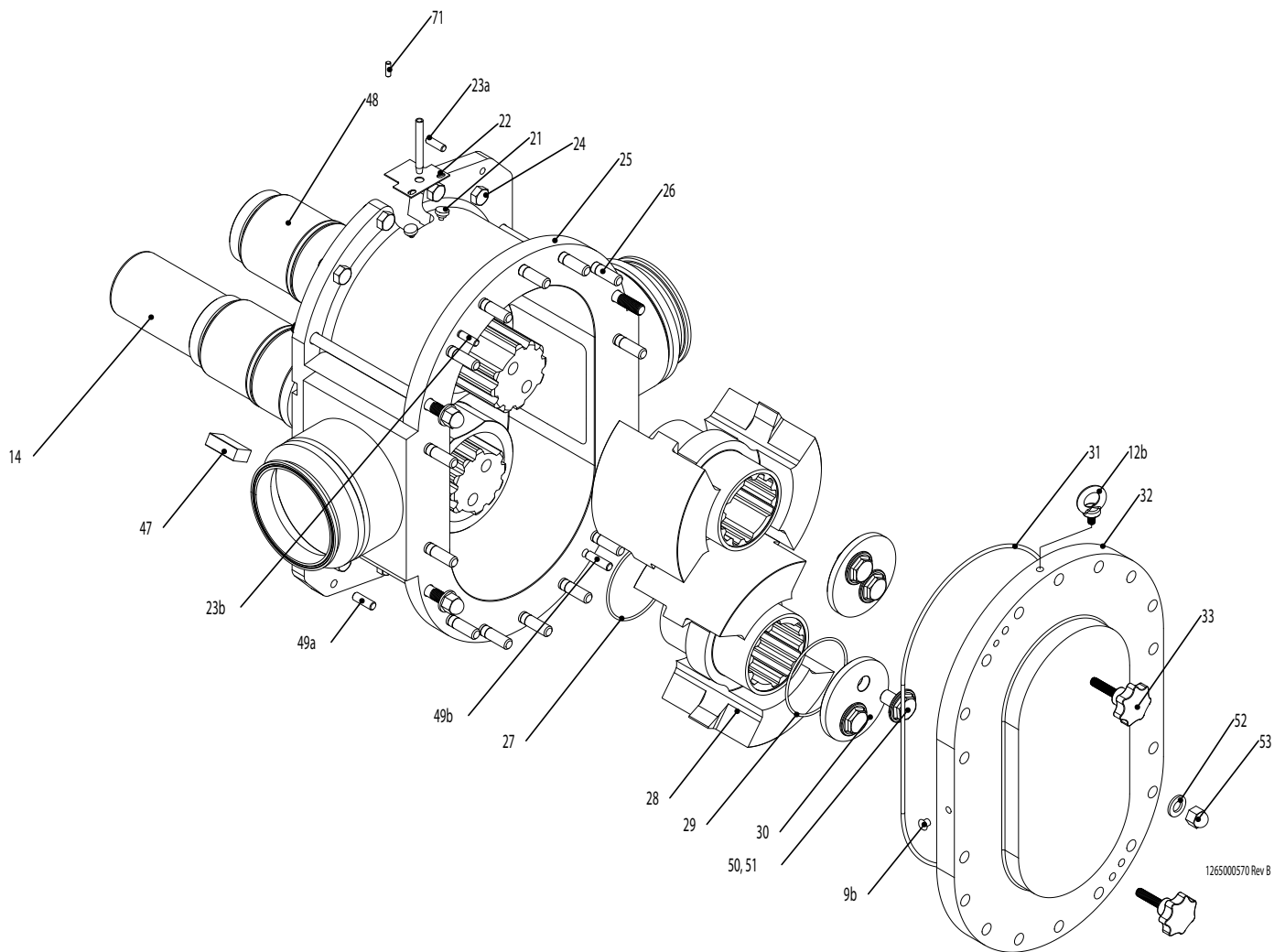
| Item | Description | Qty | Part # |
|------|----------------------------------|-----|------------|
| 28 | Rotor (standard) | 2 | 1659630000 |
| | Rotor (high-temperature) | | 1659630001 |
| 29 | Rotor bolt washer o-ring (viton) | 2 | 1180000120 |
| 30 | Rotor bolt washer | 2 | 1104000024 |
| 31 | Cover o-ring (buna - standard) | 1 | 1180000595 |
| 32 | Pump cover | 1 | 1658620000 |
| 33 | Forcing screw | 2 | 1018000012 |
| 34 | Gearbox cover gasket | 1 | 1181000057 |
| 35 | Rear bearing assembly | 2 | 1173000008 |
| 36 | Oil sight glass | 1 | 1248000028 |
| 37 | Gearbox cover | 1 | 1367000000 |
| 38 | Oil drain plug (small) | 2 | 1248000012 |
| 39 | Gearbox cover bolt | 10 | 1101000022 |
| 40a | Gear snap ring | 2 | 1148000001 |
| 41 | Gear | 2 | 1365000005 |
| 43 | Large mounting pin bushing | 1 | 1224000004 |
| 44 | Oil drain plug (large) | 1 | 1248000011 |
| 45 | Mounting strap | 2 | 1925000001 |
| 46 | Mounting strap screw | 4 | 1101000029 |
| 47 | Gear key | 2 | 1315000030 |
| 48 | Idle shaft | 1 | 1372600001 |
| | Idle shaft (for o-ring seal) | | 1372600013 |
| 49a | Large mounting pin (housing) | 1 | 1891000069 |
| 49b | Large mounting pin (cover) | 1 | 1891000070 |
| 50 | Rotor bolt o-ring (viton) | 2 | 1180000085 |
| 51 | Rotor bolt | 2 | 1102000001 |
| 52 | Cover nut washer | 4 | 1104000002 |
| 53 | Cover nut | 4 | 1103000018 |

*Quantities may vary

FKL 580 AND 600 EXPLODED VIEW



1265000571 Rev A



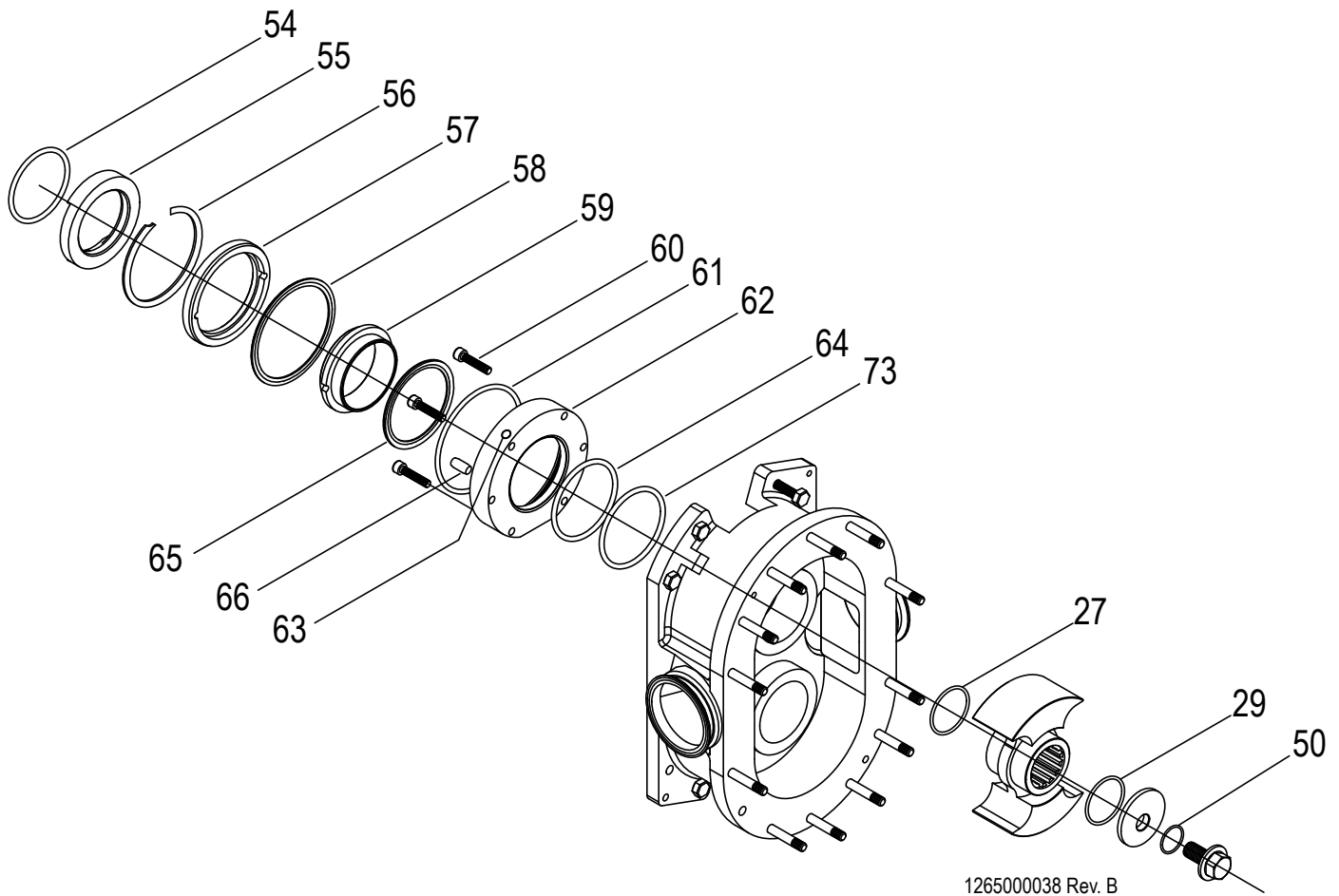
FKL 580 AND 600 PART NUMBERS

| Item | Description | Qty | 580 | 600 |
|------|-----------------------------------|-----|------------|-----------------|
| 1 | Bearing cover screw | 16 | 1101000241 | |
| 2 | Rear bearing cover (drive shaft) | 1 | 0386630001 | |
| 3 | Rear bearing cover (idle shaft) | 1 | 0386630000 | |
| 4 | Rear Bearing cover o-ring (buna) | 2 | 1180000001 | |
| 5 | Rear lip seal | 1 | 0182160001 | |
| 6 | Bearing lock nut | 2 | 1306000000 | |
| 7 | Coupling key | 1 | 1315000015 | |
| 8 | Bearing lock nut washer | 2 | 1104000066 | |
| 8a | Bearing spacer | 2 | 0387660001 | |
| 9a | Gearbox hole plug | 6 | 1101000254 | |
| 9b | Cover hole plug | 2 | 1101000252 | |
| 10 | Vent plug | 1 | 1248000016 | |
| 11 | Gearbox | 1 | 1310600099 | |
| 12a | Gearbox eyebolt | 2 | 1101000152 | |
| 12b | Cover eyebolt | 1 | 1101000244 | |
| 13 | Small mounting pin bushing | 1 | 1224000006 | |
| 14 | Drive shaft | 1 | 1372600066 | 1372600008 |
| | Drive shaft (for o-ring seal) | | N/A | N/A |
| 15 | Housing stud (long) | 4 | 1103000117 | N/A |
| 16 | Gapping shim kit | 1 | 1080000098 | |
| 17 | Front bearing assembly | 2 | 1173000005 | |
| 18 | Front lip seal | 2 | 0182160000 | |
| 19 | Front bearing cover o-ring | 2 | 1180000002 | |
| 20 | Front bearing cover | 2 | 0386630002 | |
| 21 | Guard knob | 4 | 1102000000 | |
| 22 | Housing guard | 2 | 1936000155 | 1936000168 |
| 23a | Small housing pin | 1 | 1891000074 | |
| 23b | Small cover pin | 1 | 1891000075 | |
| 24 | Hex head housing bolt | 8* | 1101000001 | 1101000001 (12) |
| 25 | Pump housing | 1 | 1674610000 | 1676610003 |
| 26 | Housing stud (short) | 14 | 1103000055 | |
| 27 | Rotor o-ring (viton) | 4 | 1180000919 | |
| 28 | Rotor (standard) | 2 | 1675630000 | 1677630000 |
| | Rotor (high-temperature) | | TBD | TBD |
| 29 | Rotor bolt washer o-ring (viton) | 2 | 1180000919 | |
| 30 | Rotor bolt washer | 2 | 1104000096 | N/A (see #51) |
| 31 | Cover o-ring (buna - standard) | 1 | 1180000930 | 1180000494 |
| 32 | Pump cover | 1 | 1674620000 | 1676620000 |
| 33 | Forcing screw | 2 | 1018000066 | |
| 34 | Gearbox cover gasket | 1 | 0386650001 | |
| 35 | Rear bearing assembly | 2 | 1173000006 | |
| 36 | Oil sight glass | 2 | 0248120001 | |
| 37 | Gearbox cover | 1 | 0386620001 | |
| 38 | Oil drain plug | 2 | 0129300100 | |
| 39 | Gearbox cover bolt | 14 | 1101000133 | |
| 40 | Gear snap ring | 2 | 1148000000 | |
| 41 | Gear | 2 | 0387670001 | |
| 43 | Large mounting pin bushing | 1 | 1224000008 | |
| 45 | Mounting strap | 2 | 1925000006 | |
| 46 | Mounting strap screw | 4 | 1101000003 | |
| 47 | Gear key | 2 | 1315000000 | |
| 48 | Idle shaft | 1 | 1372600067 | 1372600009 |
| | Idle shaft (for o-ring seal) | | N/A | N/A |
| 49a | Large housing pin | 1 | 1891000077 | |
| 49b | Large cover pin | 1 | 1891000078 | |
| 50 | Rotor bolt o-ring (viton) | 4 | 1180000398 | N/A (see #51) |
| 51 | Rotor bolt | 4 | 1102000010 | N/A |
| | Rotor bolt assembly (drive shaft) | 1 | N/A | 1102000005 |
| | Rotor bolt assembly (idle shaft) | 1 | N/A | 1102000004 |
| 52 | Cover nut washer | 18 | 1104000022 | |
| 53 | Cover nut | 18 | 1103000012 | |
| 71 | Rotating seal pin | 2 | N/A | 1891000036 |

*Quantities may vary

*Quantities may vary

FKL SINGLE MECHANICAL SEAL



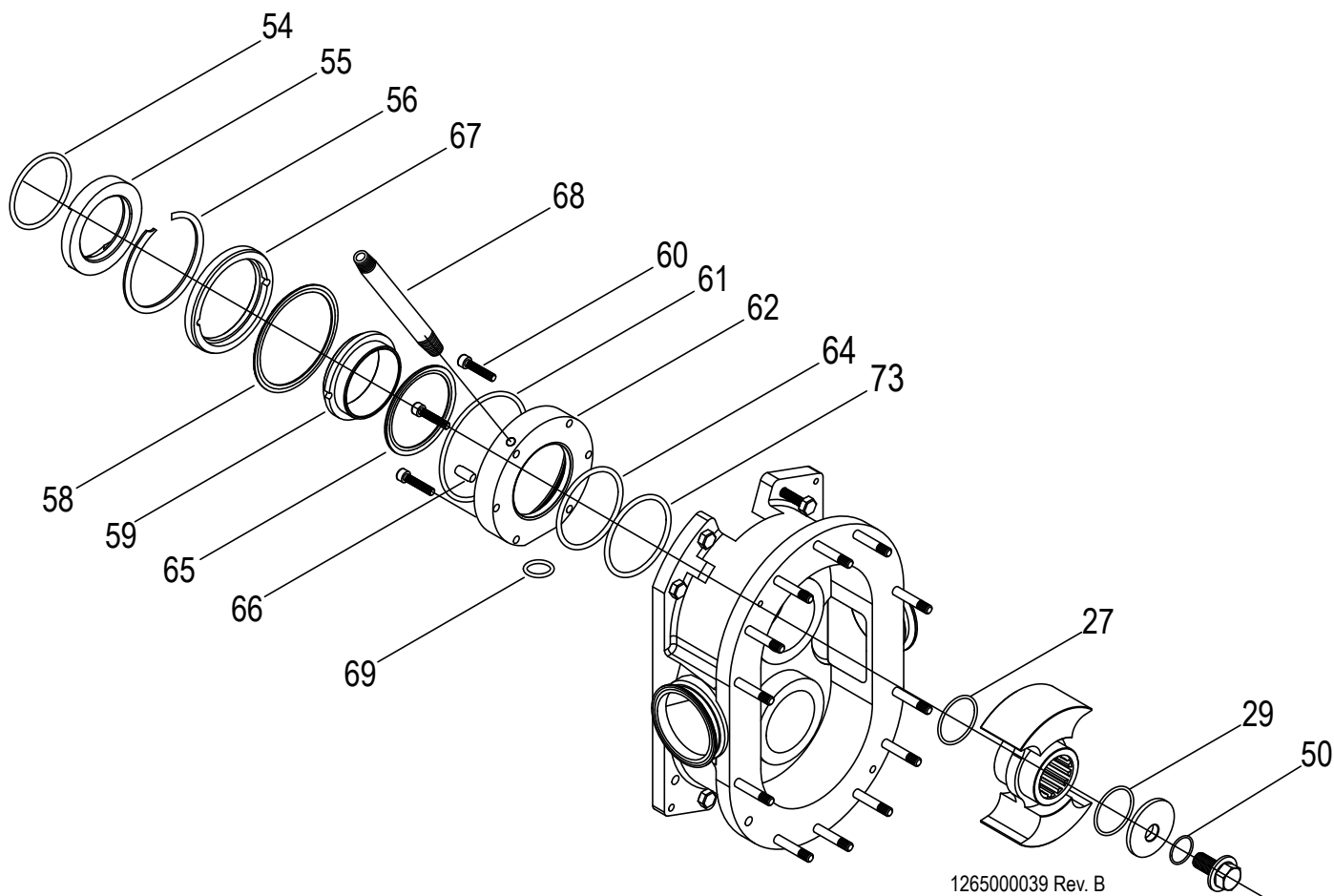
PARTS & PART NUMBERS

| FKL SINGLE MECHANICAL SEAL | | | | | | | | | | | | | | | |
|----------------------------|-----------------------------------|-----|------------|-----------------------|------------|-------------|----------------|----------------|----------------|----------------|-----------------|---------------|-----------------|--|------------|
| Item | Description | Qty | 15/20 | 25 | 50 | 75 | 150 | 205 | 250 | 400 | 580 | 600 | | | |
| 27 | Rotor o-ring (viton) | 2 | 1180000700 | 1180000243 | 1180000120 | 1180000014 | 1180000115 | 1180000253 | 1180000212 | 1180000234 | 1180000919 | | | | |
| 29 | Rotor bolt washer o-ring (viton) | 2 | 1180000700 | 1180000243 | 1180000120 | 1180000014 | 1180000115 | 1180000253 | 1180000212 | 1180000234 | 1180000919 | | | | |
| 50 | Rotor bolt o-ring (viton) | 2* | 1180000085 | | | | 1180000095 | | 1180000398 | | 1180000398 (4) | | N/A | | |
| 54 | Rotating seal o-ring (viton) | 2* | 1180000700 | 1180000243 | 1180000032 | 11800000275 | 1180000112 | 1180000256 | 1180000217 | 1180000216 | 1180000919 | | 1180000012 | | |
| 55 | Rotating seal (Chrome oxide/SS) | 2 | 1810600112 | 1810600075 | 1810600057 | 1810600076 | 1810600066 | 1810600124 | 1810600042 | 1810600074 | 1810600130 | 1810600087 | | | |
| 55 | Rotating seal (Silicon carbide) | 2 | 1810600113 | 1810600085 | 1810600036 | 1810600077 | 1810600067 | 1810600123 | 1810600062 | 1810600086 | 1810600141 | 1810600157 | | | |
| 56 | Seal retaining ring | 2 | N/A** | 1148000018 | 1148000014 | 1148000019 | 1148000016 | 1148000032 | 1148000017 | 1148000035 | 1148000020 | | 1148000020 | | |
| 57 | Single seal insert | 2 | N/A** | 1815600019 | 1815600020 | 1815600021 | 1815600022 | 1815600144 | 1815600023 | 1815600024 | 1815600151 | | 1815600099 | | |
| 58 | Outer seal spring | 2 | N/A** | 1820000037 | 1820000018 | 1820000040 | 1820000022 | 1820000069 | 1820000020 | 1820000024 | 1820000071 | | 1820000055 | | |
| 59 | Stationary seal (carbon) | 2 | 1815600115 | 1815600058 | 1815600049 | 1815600060 | 1815600051 | 1815600142 | 1815600052 | 1815600055 | 1815600157 | | TBD | | |
| | Stationary seal (Silicon carbide) | | 1815600182 | 1815600183 | 1815600184 | 1815600185 | 1815600186 | 1815600199 | 1815600187 | 1815600200 | TBD | | 1815600201 | | |
| | Stationary seal (Chrome oxide/SS) | | 1815600128 | 1815600086 | 1815600066 | 1815600112 | 1815600108 | 1815600141 | 1815600106 | 1815600097 | 1810600172 | 1815600070 | | | |
| 60 | Seal housing screw | 8 | N/A** | 1101000220 | | 1101000221 | 1101000220(12) | 1101000221(12) | 1101000221(12) | 1101000222(12) | 1101000010 (16) | | 1101000002 (16) | | |
| 61 | Outer seal o-ring (viton) | 2 | N/A** | 1180000256 | 1180000186 | 1180000148 | 1180000225 | 1180000215 | | 1180000240 | 1180000922 | | 1180000019 | | |
| 62 | Seal housing | 2 | N/A** | 1845000010 | 1845000000 | 1845000015 | 1845000006 | 1845000045 | 1845000005 | 1845000004 | 1845000028 | | 1845000028 | | |
| 63 | Plastic cover plug | 2* | N/A** | | | | | | | | 1248000002 | 1248000002(4) | | | |
| 64 | Inner seal o-ring (viton) | 2 | 1180000261 | 1180000030 | 1180000014 | 1180000253 | 1180000231 | 1180000234 | 1180000052 | 1180000239 | 1180000634 | 1180000455 | | | |
| 65 | Inner seal spring | 2 | 1820000041 | 1820000038 | 1820000017 | 1820000039 | 1820000021 | 1820000068 | 1820000019 | 1820000023 | 1820000070 | | 1820000054 | | |
| 66 | Seal pin | 4 | 1891000051 | 1891000011 | 1891000009 | 1891000013 | 1891000009 | 1891000013 | 1891000009 | 1891000010 | 1891000088 | | 1891000043 | | |
| 73 | Cartridge seal o-ring (viton) | 2 | N/A** | (models 250-600 only) | | | | | | | 1180000148 | 1180000225 | 1180000920 | | 1180000686 |

*Quantities may vary **N/A - models 15-20 (no cartridge)

*Quantities may vary

FKL DOUBLE MECHANICAL SEAL



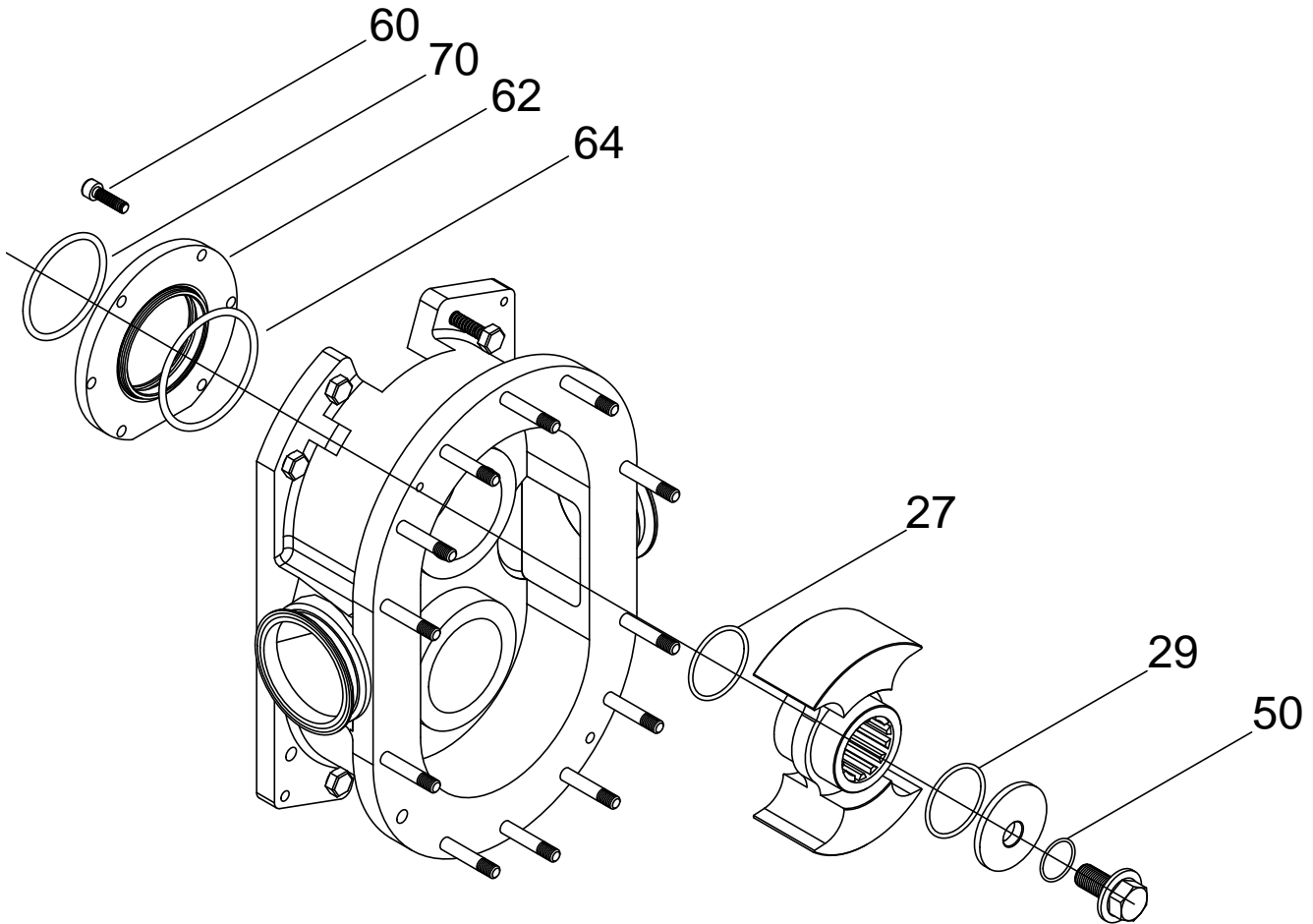
PARTS & PART NUMBERS

| FKL DOUBLE MECHANICAL SEAL | | | | | | | | | | | | | | |
|----------------------------|-----------------------------------|-----|------------|-----------------------|------------|------------|----------------|----------------|----------------|----------------|----------------|----------------|----------------|------------|
| Item | Description | Qty | 15/20 | 25 | 50 | 75 | 150 | 205 | 250 | 400 | 580 | 600 | | |
| 27 | Rotor o-ring (viton) | 2 | 1180000700 | 1180000243 | 1180000120 | 1180000014 | 1180000115 | 1180000253 | 1180000212 | 1180000234 | 1180000919 | | | |
| 29 | Rotor bolt washer o-ring (viton) | 2 | 1180000700 | 1180000243 | 1180000120 | 1180000014 | 1180000115 | 1180000253 | 1180000212 | 1180000234 | 1180000919 | | | |
| 50 | Rotor bolt o-ring (viton) | 2* | 1180000085 | | | | 1180000095 | | 1180000398 | | 1180000398 (4) | | N/A | |
| 54 | Rotating seal o-ring (viton) | 2 | 1180000700 | 1180000243 | 1180000032 | 1180000275 | 1180000112 | 1180000256 | 1180000217 | 1180000216 | 1180000919 | 1180000012 | | |
| 55 | Rotating seal (Chrome oxide/SS) | 2 | 1810600112 | 1810600075 | 1810600057 | 1810600076 | 1810600066 | 1810600124 | 1810600042 | 1810600074 | 1810600130 | 1810600087 | | |
| | | 2 | 1810600113 | 1810600085 | 1810600036 | 1810600077 | 1810600067 | 1810600123 | 1810600062 | 1810600086 | 1810600141 | 1810600157 | | |
| 56 | Seal retaining ring | 2 | N/A** | 1148000018 | 1148000014 | 1148000019 | 1148000016 | 1148000032 | 1148000015 | 1148000017 | 1148000035 | 1148000020 | | |
| 58 | Outer seal spring | 2 | N/A** | 1820000037 | 1820000018 | 1820000040 | 1820000022 | 1820000069 | 1820000020 | 1820000024 | 1820000071 | 1820000055 | | |
| 59 | Stationary seal (carbon) | 2 | 1815600115 | 1815600058 | 1815600049 | 1815600060 | 1815600051 | 1815600142 | 1815600052 | 1815600055 | 1815600157 | TBD | | |
| | | 2 | 1815600182 | 1815600183 | 1815600184 | 1815600185 | 1815600186 | 1815600199 | 1815600187 | 1815600200 | TBD | 1815600201 | | |
| 60 | Stationary seal (Chrome oxide/SS) | 2 | 1815600128 | 1815600086 | 1815600066 | 1815600112 | 1815600108 | 1815600141 | 1815600106 | 1815600097 | 1815600172 | 1815600070 | | |
| | | 8* | N/A** | 1101000220 | 1101000221 | 1101000221 | 1101000221(12) | 1101000221(12) | 1101000221(12) | 1101000221(12) | 1101000221(12) | 1101000010(16) | 1101000002(16) | |
| 61 | Outer seal o-ring (viton) | 2 | 1180000701 | 1180000256 | 1180000186 | 1180000148 | 1180000225 | 1180000215 | | 1180000240 | 1180000922 | 1180000019 | | |
| 62 | Seal housing | 2 | N/A** | 1845000010 | 1845000000 | 1845000015 | 1845000006 | 1845000045 | 1845000005 | 1845000004 | 1845000048 | 1845000028 | | |
| 64 | Inner seal o-ring (viton) | 2 | 1180000261 | 1180000030 | 1180000014 | 1180000253 | 1180000231 | 1180000234 | 1180000052 | 1180000239 | 1180000634 | 1180000455 | | |
| 65 | Inner seal spring | 2 | 1820000041 | 1820000038 | 1820000017 | 1820000039 | 1820000021 | 1820000068 | 1820000019 | 1820000023 | 1820000070 | 1820000054 | | |
| 66 | Seal pin | 4 | 1891000051 | 1891000011 | 1891000009 | 1891000013 | 1891000009 | 1891000013 | 1891000009 | 1891000010 | 1891000088 | 1891000043 | | |
| 67 | Flush seal (carbon) | 2 | 1815600117 | 1815600059 | 1815600071 | 1815600062 | 1815600073 | 1815600143 | 1815600072 | 1815600160 | 1815600158 | 1815600173 | | |
| 68 | Water pipe | 2* | 1910000002 | 1910000010 | | 1910000019 | | 1910000001 | | 1910000003 | | | 1910000034(4) | |
| 69 | Flush seal housing o-ring (viton) | 1 | N/A** | 1180000293 | | | | | | | N/A | | | |
| 73 | Cartridge seal o-ring (viton) | 2 | N/A** | (models 250-600 only) | | | | | | | 1180000148 | 1180000225 | 1180000920 | 1180000686 |

* Quantities may vary ** N/A - models 15-20 (no cartridge)

*Quantities may vary

FKL SINGLE O-RING SEAL



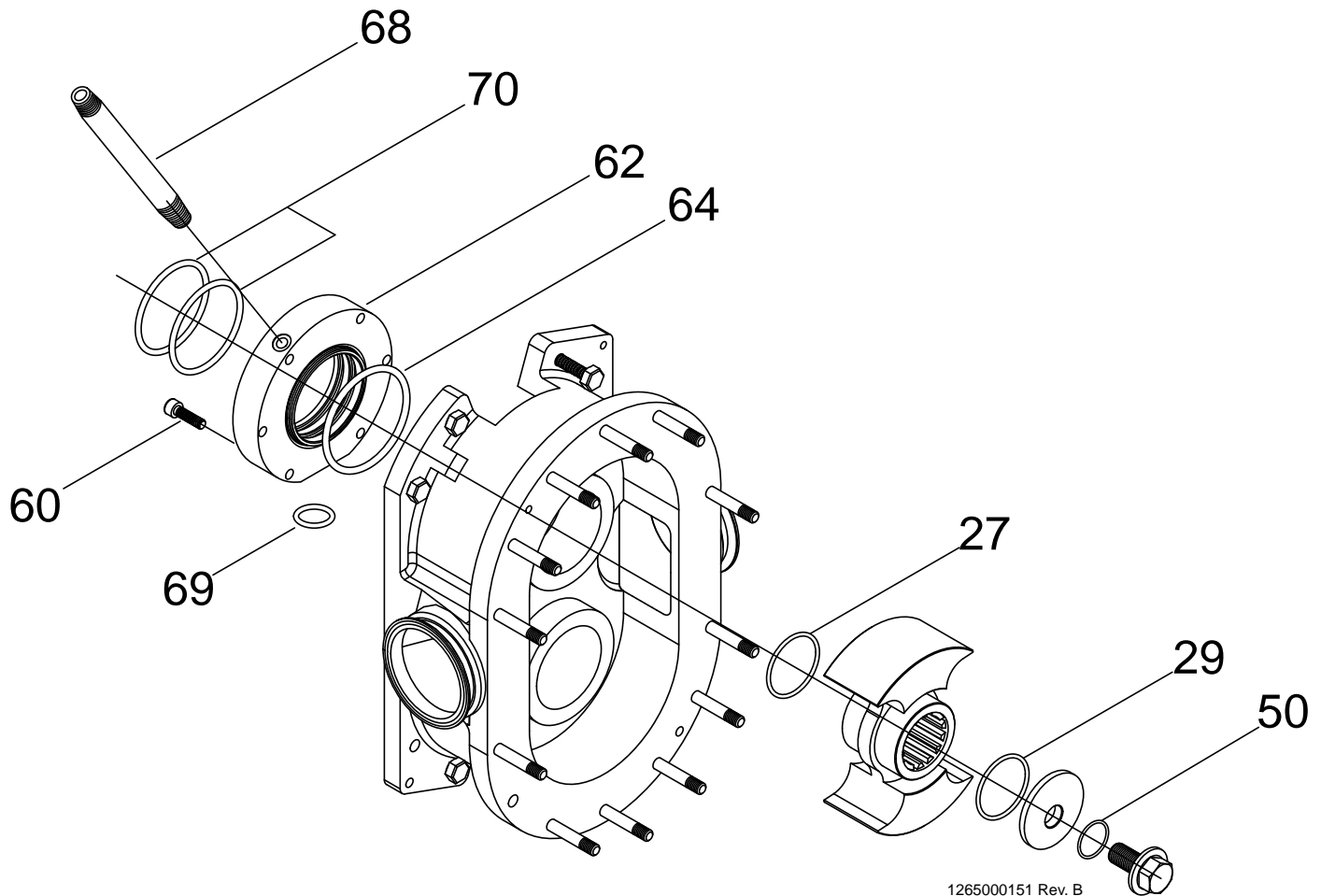
1265000150 Rev. B

PARTS & PART NUMBERS

| SINGLE O-RING SEAL (Models 25-250) | | | | | | | | |
|------------------------------------|--------------------------------------|-----|------------|------------|------------|----------------|------------|------------|
| Item | Description | Qty | 25 | 50 | 75 | 150 | 205 | 250 |
| 27 | Rotor o-ring (viton) | 2 | 1180000243 | 1180000120 | 1180000014 | 1180000115 | 1180000253 | 1180000212 |
| 29 | Rotor bolt washer o-ring (viton) | 2 | 1180000243 | 1180000120 | 1180000014 | 1180000115 | 1180000253 | 1180000212 |
| 50 | Rotor bolt o-ring (viton) | 2 | | 1180000085 | | 1180000095 | 1180000398 | |
| 60 | Seal housing screw | 8* | | 1101000219 | | 1101000219(12) | | |
| 62 | Seal housing | 2 | 1845000012 | 1845000001 | 1845000017 | 1845000008 | TBD | 1845000003 |
| 64 | Inner stationary seal o-ring (viton) | 2 | 1180000030 | 1180000014 | 1180000253 | 1180000231 | 1180000234 | 1180000052 |
| 70 | Seal o-ring (viton) | 2 | 1180000206 | 1180000044 | 1180000233 | 1180000280 | 1180000234 | 1180000234 |

* Quantities may vary

FKL DOUBLE O-RING SEAL



1265000151 Rev. B

PARTS & PART NUMBERS

| DOUBLE O-RING SEAL (Models 25–250) | | | | | | | | | |
|------------------------------------|-----------------------------------|-----|------------|------------|------------|----------------|------------|----------------|--|
| Item | Description | Qty | 25 | 50 | 75 | 150 | 205 | 250 | |
| 27 | Rotor o-ring (viton) | 2 | 1180000243 | 1180000120 | 1180000014 | 1180000115 | 1180000253 | 1180000212 | |
| 29 | Rotor bolt washer o-ring (viton) | 2 | 1180000243 | 1180000120 | 1180000014 | 1180000115 | 1180000253 | 1180000212 | |
| 50 | Rotor bolt o-ring (viton) | 2 | | 1180000085 | | 1180000095 | | 1180000398 | |
| 60 | Seal housing screw | 8* | | 1101000220 | | 1101000220(12) | | 1101000221(12) | |
| 62 | Seal housing | 2 | 1845000011 | 1845000002 | 1845000016 | 1845000007 | TBD | 1845000009 | |
| 64 | Inner seal o-ring (viton) | 2 | 1180000030 | 1180000014 | 1180000253 | 1180000231 | 1180000234 | 1180000052 | |
| 68 | Water pipe | 2 | | 1910000010 | | | 1910000001 | | |
| 69 | Flush seal housing o-ring (viton) | 1 | 1180000293 | | | | | | |
| 70 | Seal o-ring (viton) | 2 | 1180000206 | 1180000044 | 1180000233 | 1180000280 | 1180000234 | 1180000234 | |

* Quantities may vary