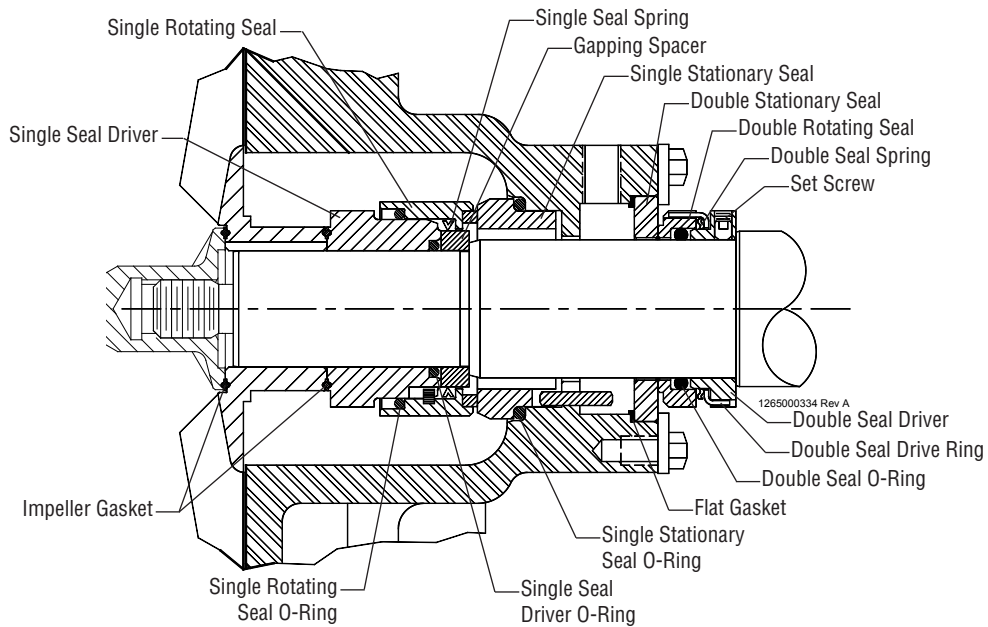


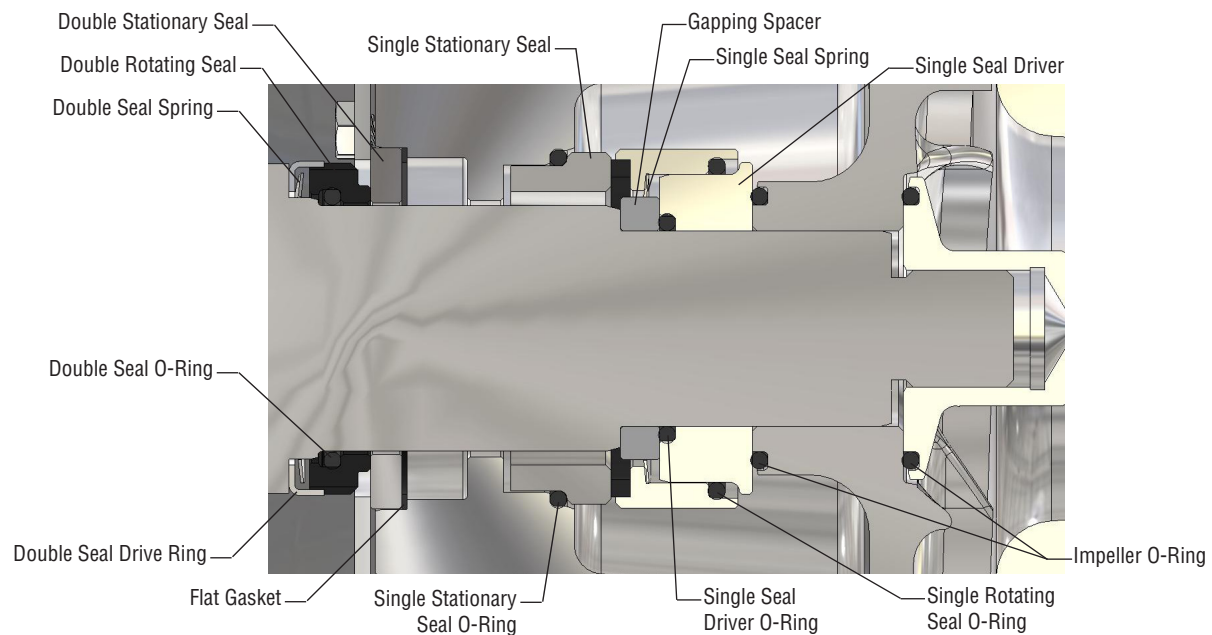
FM3 (HP3) SEAL ASSEMBLY



Description	Material	Qty.	Part No.
Single Seal Driver	SS	1	1224000010
Single Rotating Seal	SS/Silicon Carbide Insert	1	1810600155
Single Seal Spring	-	1	1820000025
Gapping Spacer (7.4mm)	SS	1	1224000100
Gapping Spacer (7.7mm)			1224000100
Gapping Spacer (8.0mm)			1224000100
Single Stationary Seal	Silicon Carbide	1	1815600196
Double Stationary Seal	Ceramic	1	1815600093
Double Rotating Seal	Carbon	1	1810600056
Double Seal Spring	-	1	1820000016
Set Screw	-	2	1101000112
Double Seal Driver	SS	1	1811000023
Double Seal Drive Ring	SS	1	1811000027
Double Seal O-Ring	Viton	1	1180000329
	EPDM		1180000348
Flat Gasket	Viton	1	1181000047
	EPDM		1181000147
Single Stationary Seal O-Ring	Viton	1	1181000099
	EPDM		1181000146
Single Seal Driver O-Ring	Viton	1	1180000344
	EPDM		1180000151
Single Rotating Seal O-Ring	Viton	1	1180000030
	EPDM		1180000247
Impeller Gasket	Viton	2*	1181000097
	EPDM		1181000145

* Quantity may vary

FM5 (HP4) SEAL ASSEMBLY



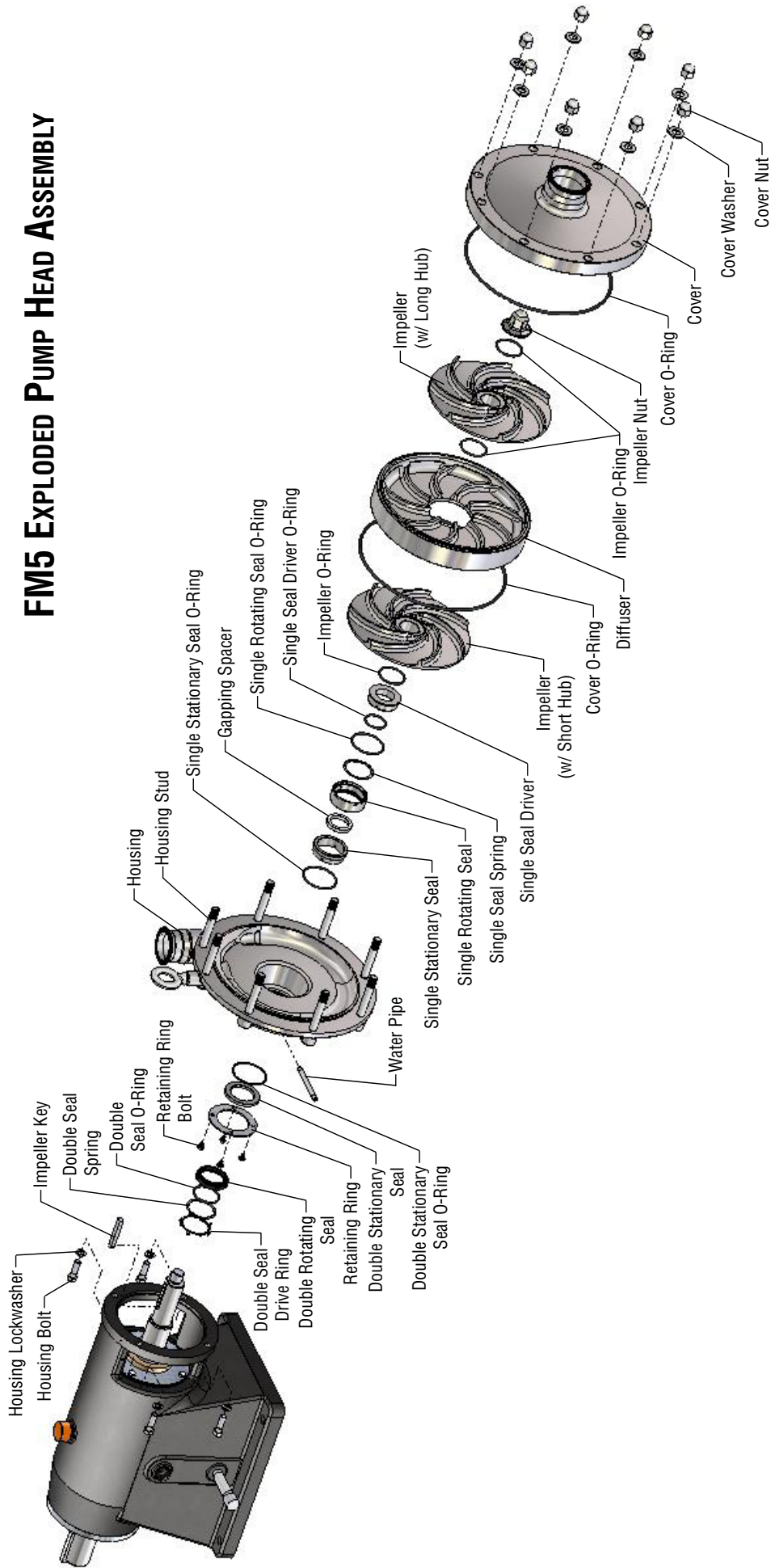
Description	Material	Qty.	Part No.
Single Seal Driver	SS	1	1811000035
Single Rotating Seal	SS/Silicon Carbide Insert	1	1810600156
Single Seal Spring	-	1	1820000028
Gapping Spacer (7.6mm)	SS	1	1224000091
Gapping Spacer (7.8mm)			1224000091
Gapping Spacer (8.0mm)			1224000091
Gapping Spacer (8.2mm)			1224000091
Gapping Spacer (8.4mm)			1224000091
Single Stationary Seal	Silicon Carbide	1	1815600197
Double Stationary Seal	Carbon	1	1815600096
Double Rotating Seal	Carbon	1	1810600100
Double Seal Spring	-	1	1820000028
Double Seal Drive Ring	SS	1	1811000036
Double Seal O-Ring	Viton	1	1180000030
	EPDM		1180000247
Flat Gasket	Viton	1	1181000140
	EPDM		1181000162
Single Stationary Seal O-Ring	Viton	1	1180000253
	EPDM		1180000278
Single Seal Driver O-Ring	Viton	1	1180000329
	EPDM		1180000348
Single Rotating Seal O-Ring	Viton	1	1180000233
	EPDM		1180000366
Impeller O-Ring	Viton	2*	1180000030
	EPDM		1180000247
* Quantity may vary			

PARTS LIST

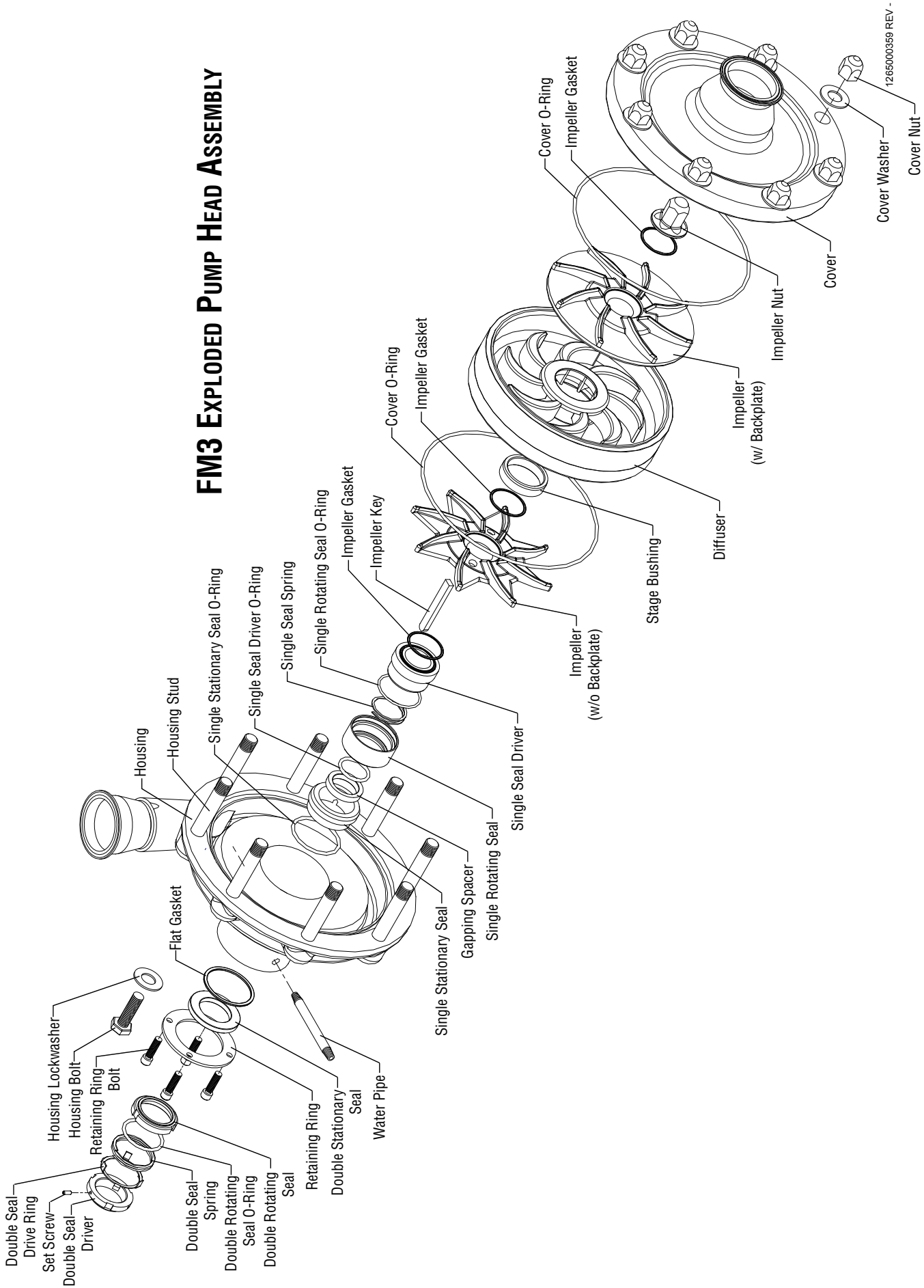
Description	Qty	Model		Description	Qty	Model	
		FM3	FM5			FM3	FM5
Cover Nut	8	1103000050	1103000012	Bearing Cover Bolt	8*	1101000096	1101000011
Cover Washer	8	1104000022		Front Bearing Cover	1	1303000008	1303000013
Cover	1	1493620000	1498620000	Front Bearing Cover O-Ring	1	1180000148	1180000748
Cover O-Ring	1*	1180000330	1180000587	Snap Ring	1	1148000005	1148000031
Impeller Nut	1	1954000005	1954000036	Front Bearing	1	1173000012	1173000029
Impeller (First Stage)	1	1493630171	1498630000	Shaft (1-Stage)	1	1340000008	1340000013
Impeller (Second, Third & Fourth Stage)	1*	1493630187	1498630001	Shaft (2-Stage)		1340000009	1340000012
Stage Bushing	1*	1224000048	N/A	Shaft (3-Stage)		1340000010	N/A
Diffuser	1*	1493610001	1498610001	Shaft (4-Stage)		1340000011	N/A
Housing Stud (1-Stage)	8	1103000011	1103000066	Coupling Key	1	1315000008	1315000041
Housing Stud (2-Stage)		1103000009	1103000065	Guard	2	1936000030	1936000135
Housing Stud (3-Stage)		1103000007	N/A	Guard Screw	4	1102000000	
Housing Stud (4-Stage)		1103000005	N/A	Drain Plug Cap	1	1226000007	
Housing	1	1493610000	1498610000	Drain Plug Nipple	1	1226000006	
Water Pipe	2	1910000007		Sight Glass	2	1248000018	
Retaining Ring	1	1148000023	1148000030	Bearing Block	1	1310600038	1310600108
Retaining Ring Bolt	4	1101000086		Vent Cap	1	1248000007	1248000013
Impeller Key (1-Stage)	1	1315000021	1315000036	Vent Cap Cover	1	1248000009	N/A
Impeller Key (2-Stage)		1315000006	1315000035	Rear Bearing	2	1173000036	1173000030
Impeller Key (3-Stage)		1315000022	N/A	Bearing Lockwasher	1	1104000016	1104000058
Impeller Key (4-Stage)		1315000007	N/A	Bearing Locknut	1	1306000005	1306000074
Housing Lockwasher	4	1104000006		Rear Bearing Cover O-Ring	1	1180000149	1180000747
Housing Bolt	4	1101000097	1101000037	Rear Bearing Cover	1	1303000009	1303000014
Front Labyrinth Seal	1	1812000023	1812000037	Rear Labyrinth Seal	1	1812000023	1812000038

* Quantity may vary

FM5 EXPLODED PUMP HEAD ASSEMBLY



FM3 EXPLODED PUMP HEAD ASSEMBLY



EXPLODED BEARING BLOCK ASSEMBLY

